



MAGNA1

Further product
documentation



net.grundfos.com/qr/i/98091804

be
think
innovate

GRUNDFOS 



MAGNA1



MAGNA1 D



Max. 95 % RH
IPX4D



Min./Max.
-10 °C – +110 °C



PN 6:6 bar / 0.6 MPa
PN 10:10 bar / 1.0 MPa
PN 16:16 bar / 1.6 MPa

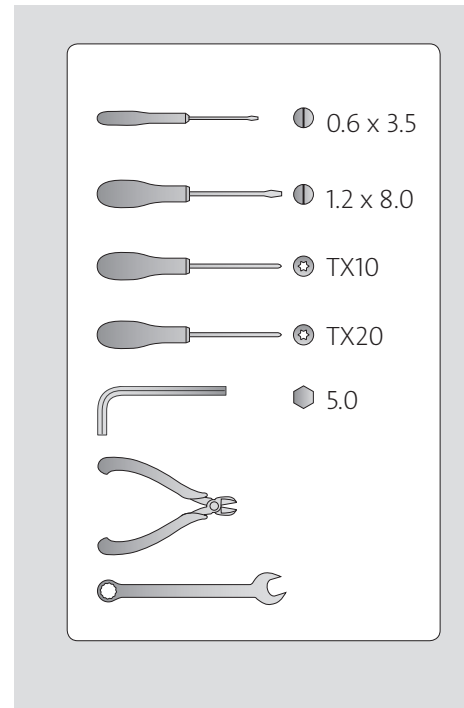
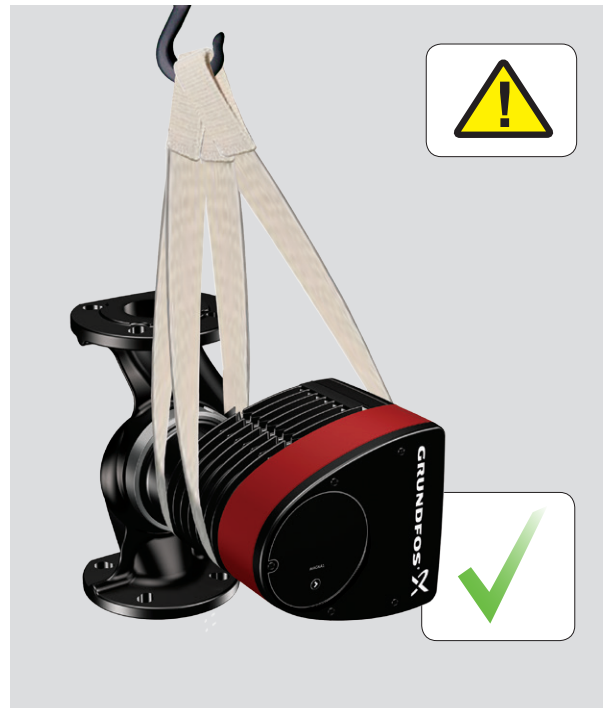
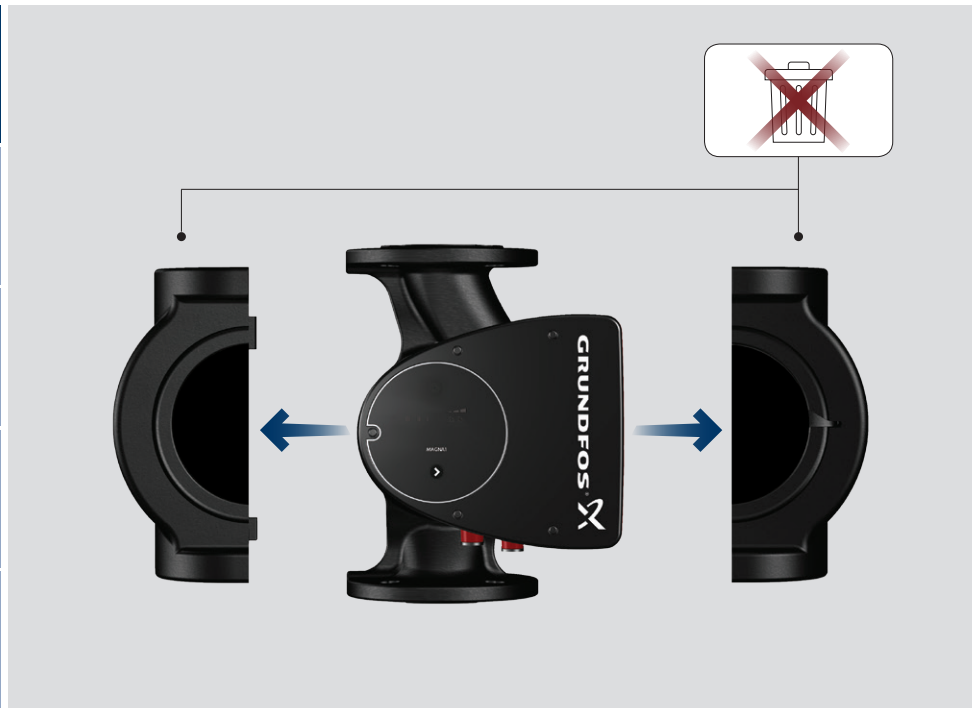


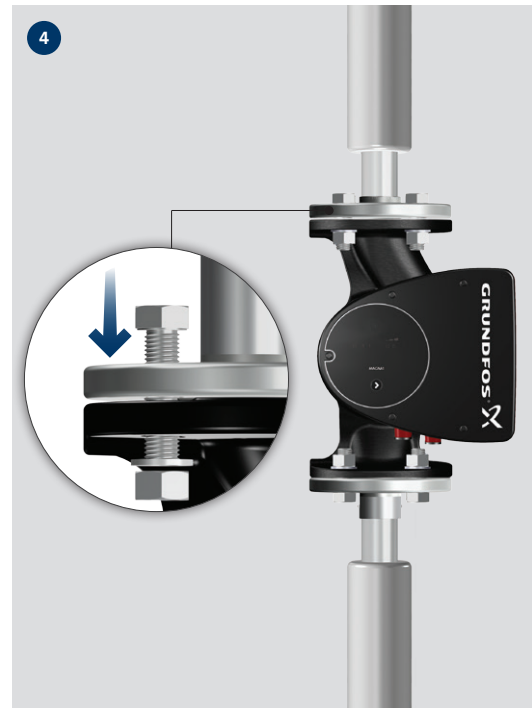
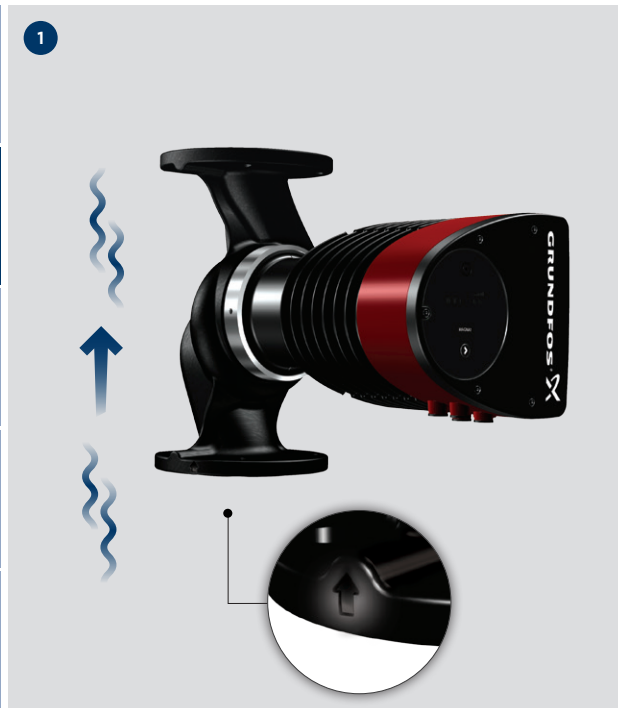
Min./Max.
0 °C – +40 °C

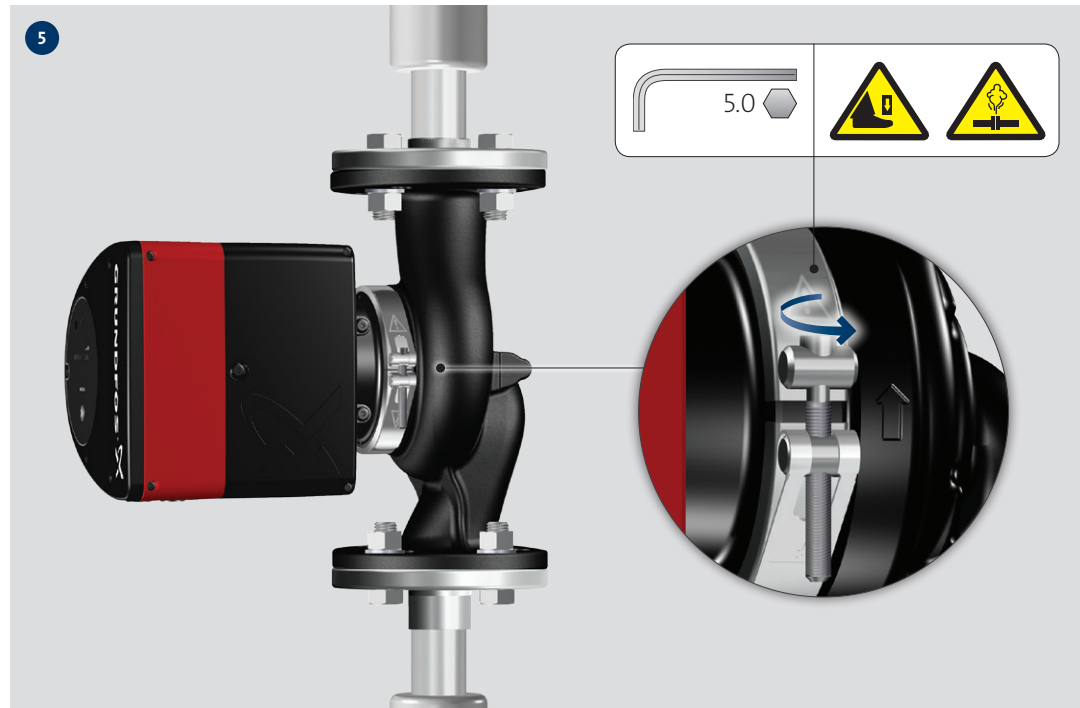
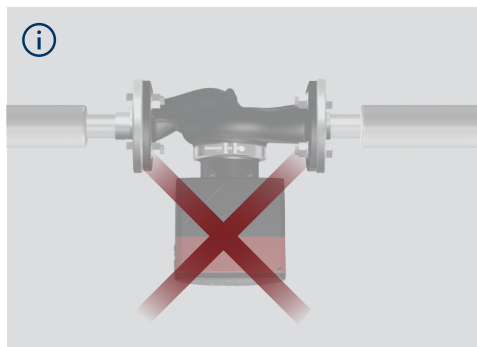
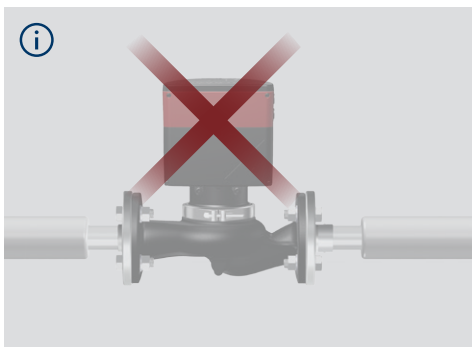
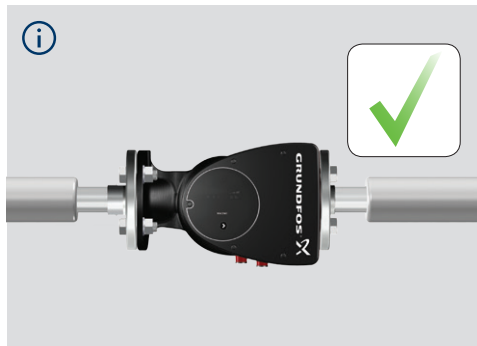
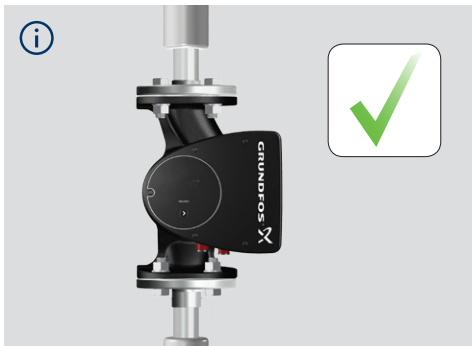


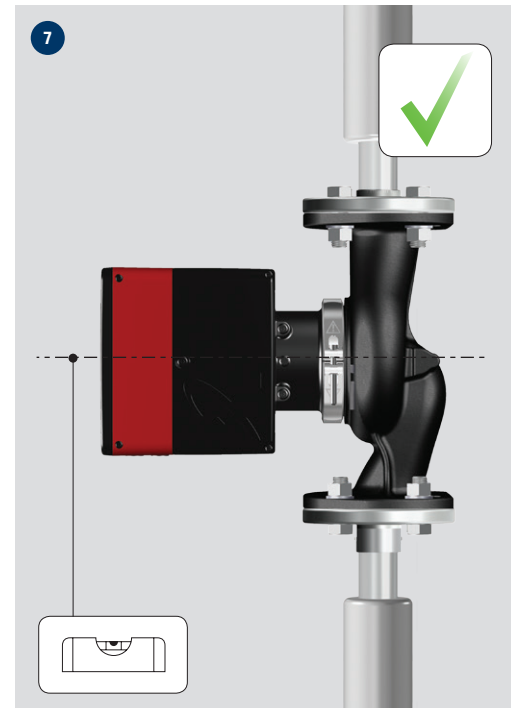
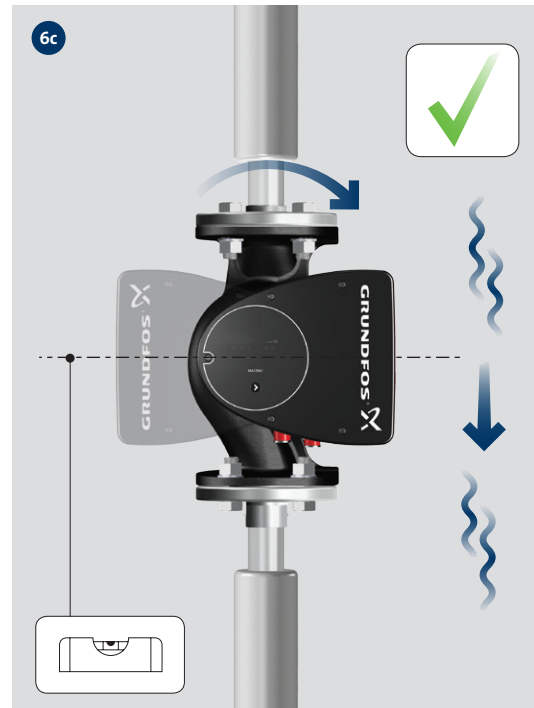
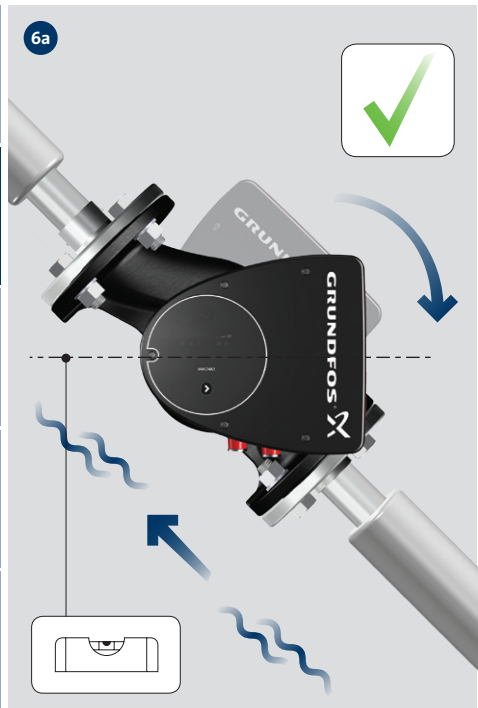
< 43 dB(A)





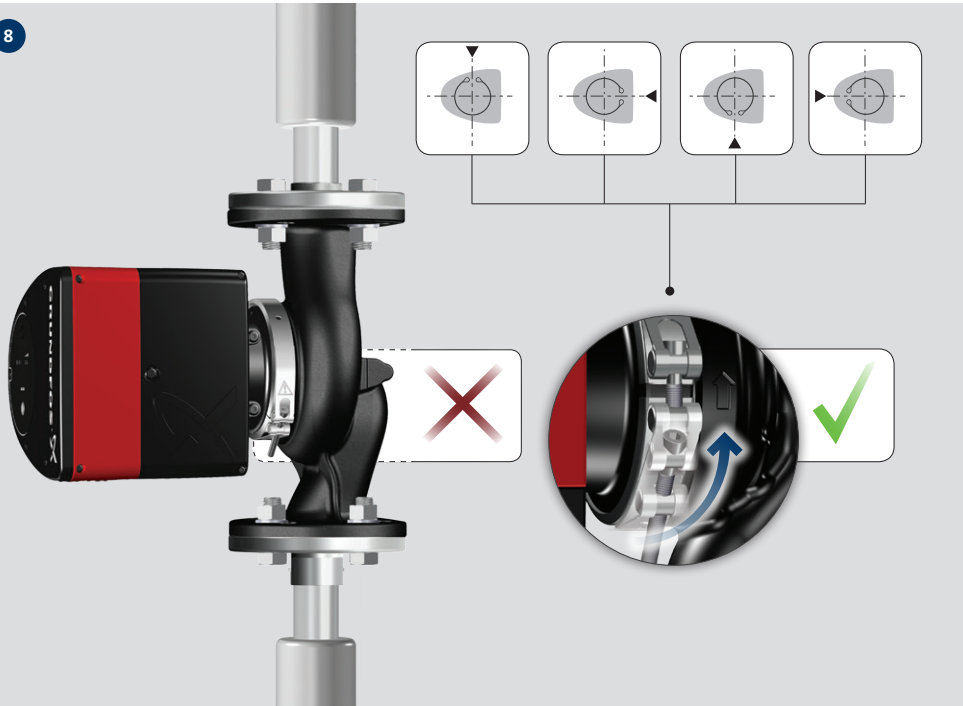




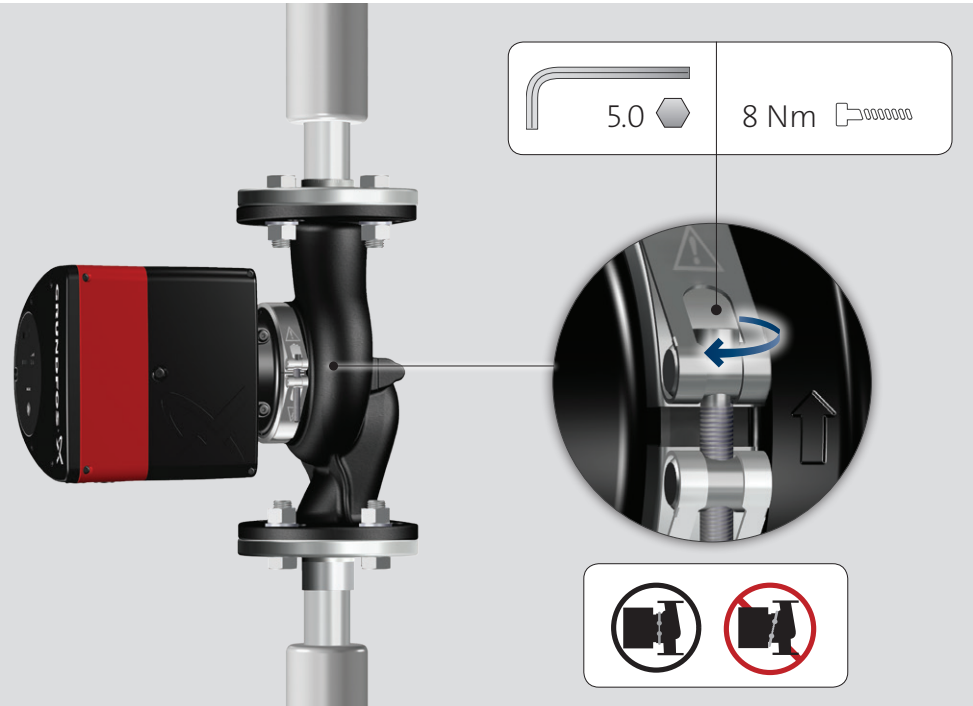




8



9





10

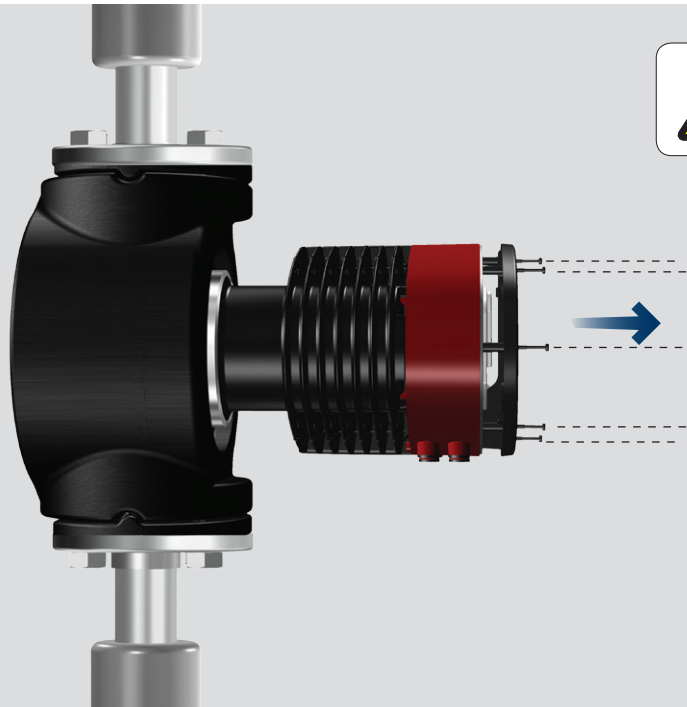


11

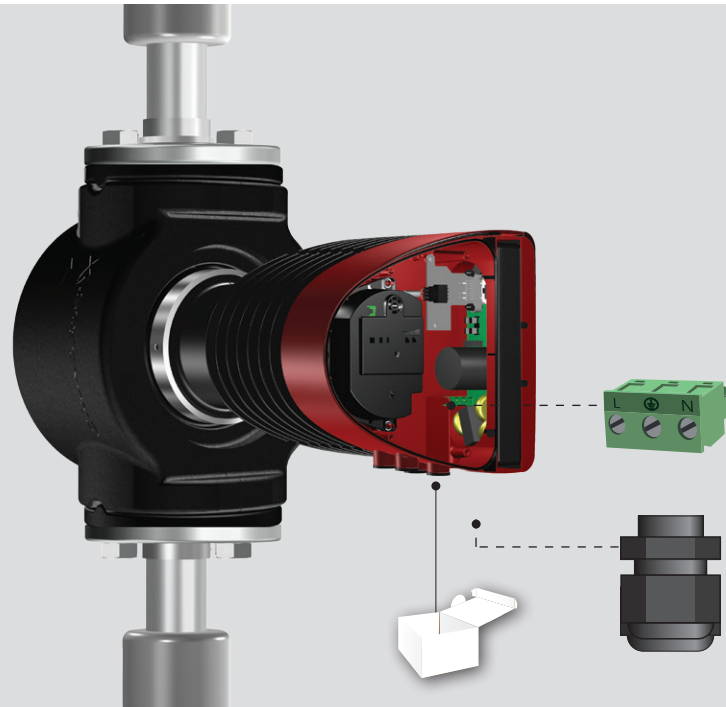




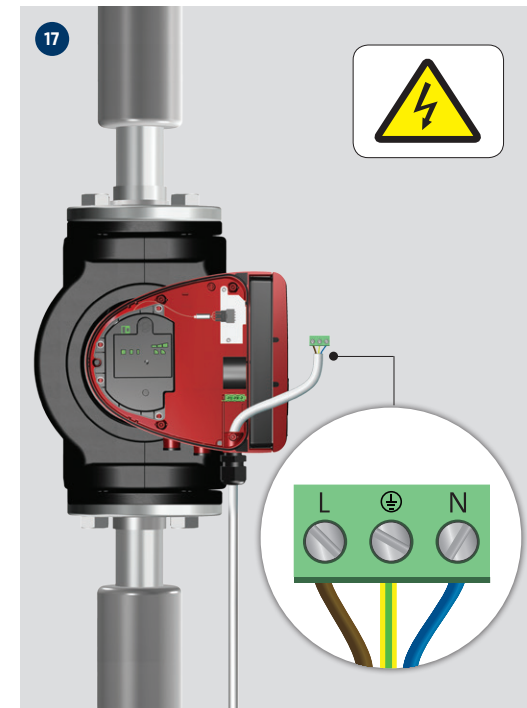
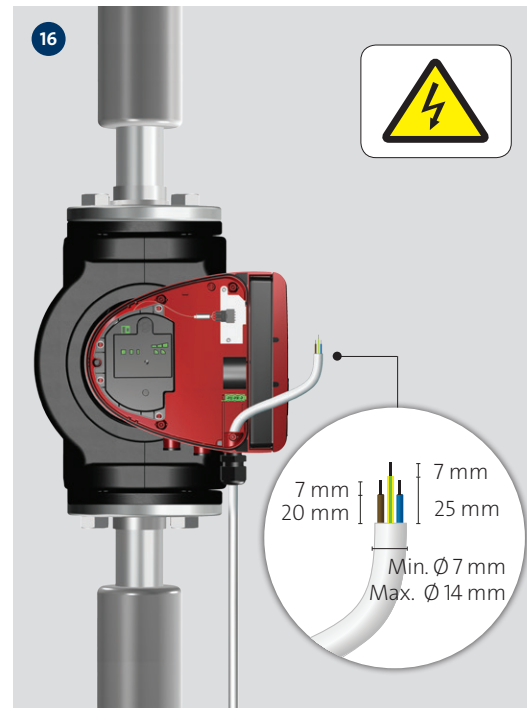
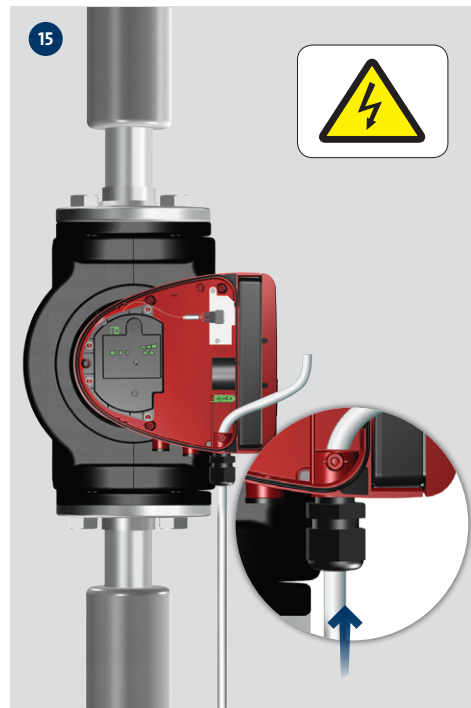
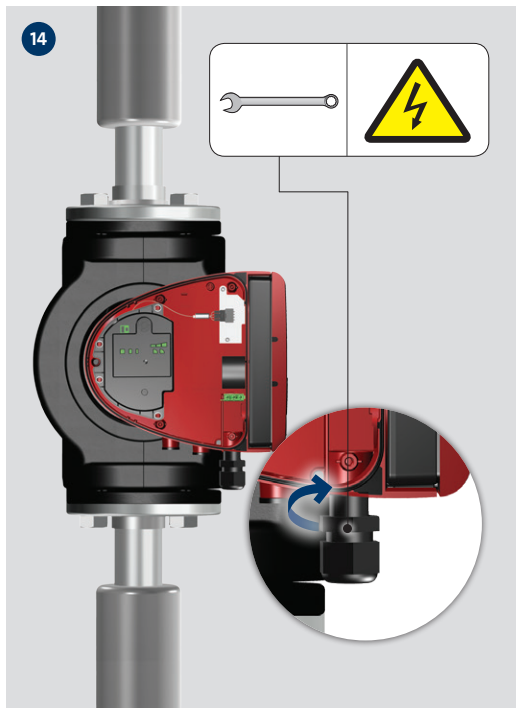
12



13

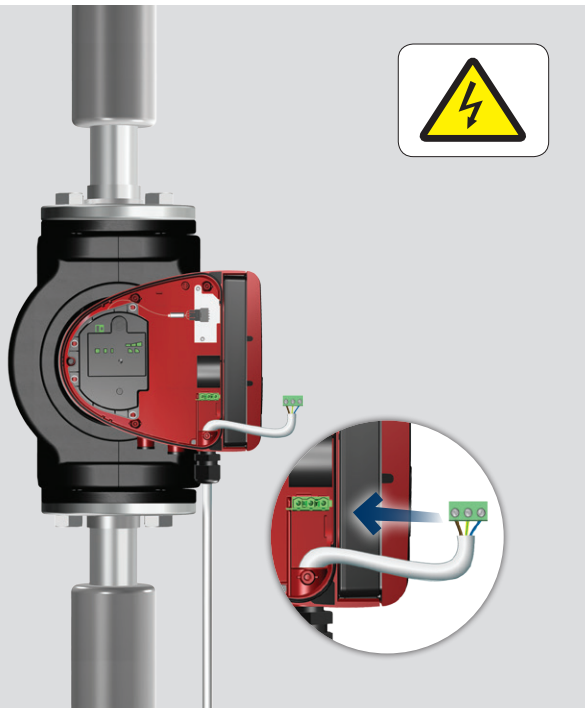


1 x 230 V

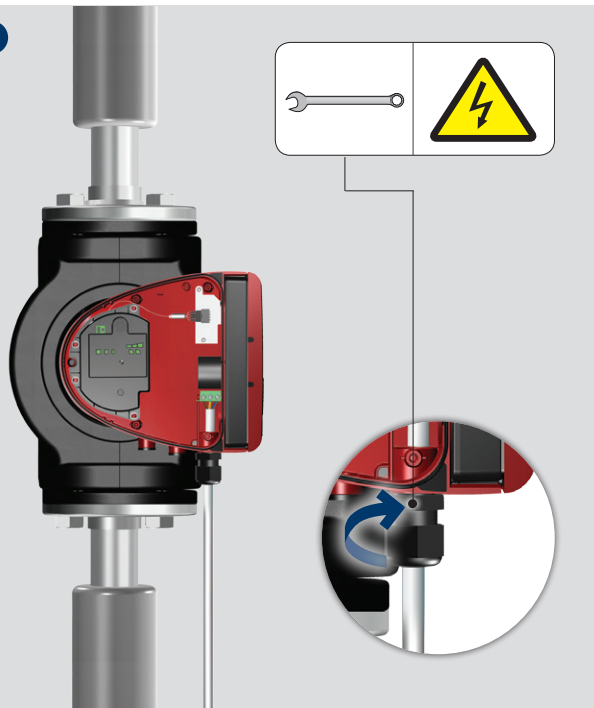
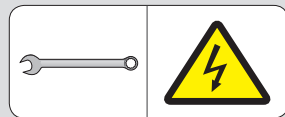




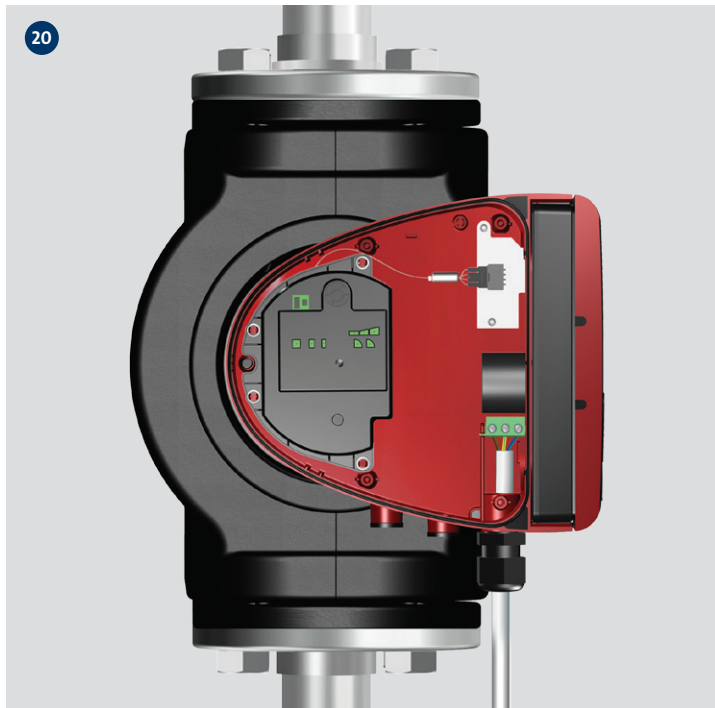
18



19

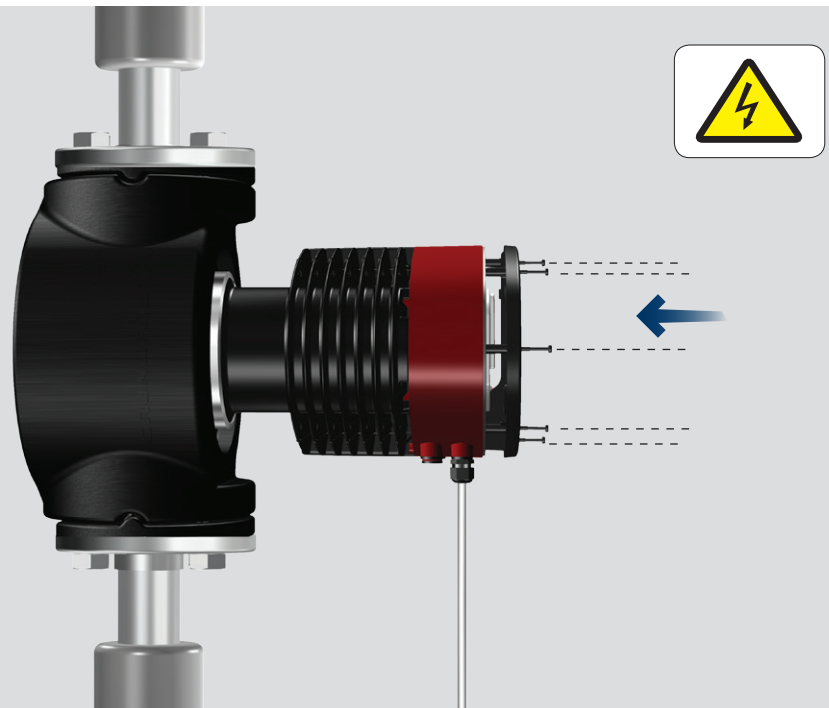


20





21



22



1x 230V ± 10%
~ 50/60 Hz ⚡





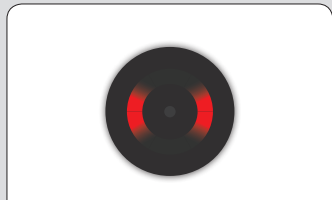
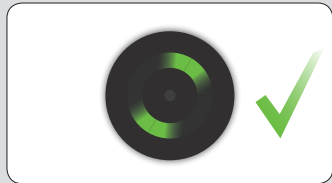
23



Power cycle
Max. 4 starts
per 60 minutes



24



Further product documentation



net.grundfos.com/qr/i/98091804



Installation date: _____

Installer:

98091802 0317

ECM: 1187410