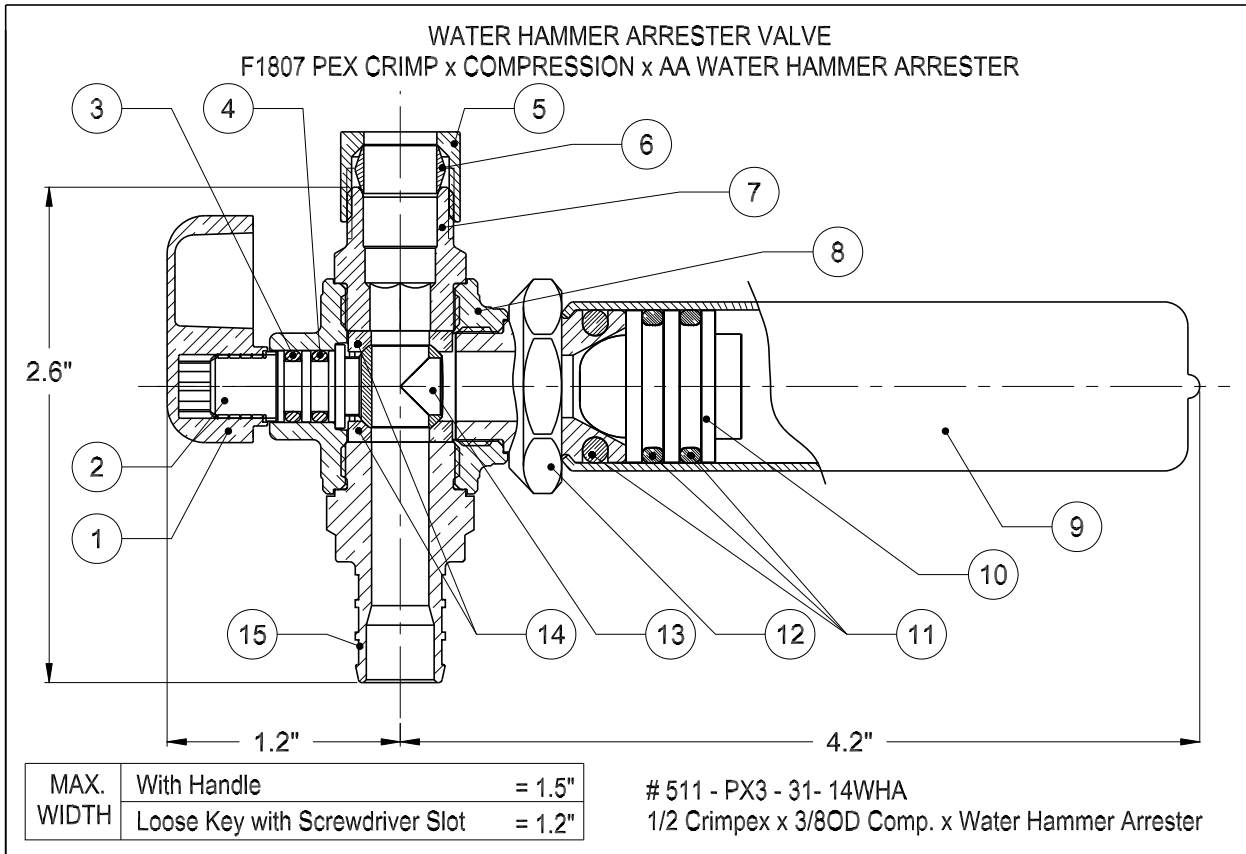


dahl-ECO mini-ball™ Valve

Plumbing

TDS -378-LF
New May/14



- | | |
|---|---|
| <ul style="list-style-type: none"> 1. Nickel Plated Zinc Handle 2. C693 Nickel Plated Brass Spindle 3. EPDM O-ring 4. Fluorocarbon (FKM) O-ring 5. Chrome Plated Brass 3/8OD Compression Nut 6. Brass Tapered Sleeve 7. C693 Nickel Plated Brass 3/8OD Compression End 8. C693 Chrome Plated Brass Body | <ul style="list-style-type: none"> 9. Chrome Plated Copper Barrel 10. Polypropylene Piston 11. EPDM O-rings 12. C693 Chrome Plated Brass Arrester Adapter 13. C693 Plated Brass Ball 14. PTFE Seals 15. C693 Nickel Plated Brass 1/2 F1807 PEX Crimp End |
|---|---|

Working Pressure: 250 psi / 250°F
depending on pipe material.

, UPC
NSF / ANSI 61-G

Designed and Manufactured in
Canada

AA Sized Water Hammer Arrester - ASSE 1010 Listed
Wetted surface area contains <0.1wt% weighted average lead.

Also available with Loose Key with Screwdriver Slot operation



dahl brothers canada limited

2600 S. SHERIDAN WAY, MISSISSAUGA, ON, CANADA L5J 2M4
905-822-2330 CAN 800-268-5355 U.S. 800-268-2363
FAX(905) 855-1450, USA AND CANADA 800-226-1801
sales@dahlvalve.com www.dahlvalve.com