



Instruction Sheet

SR503-EXP-4 Switching Relay

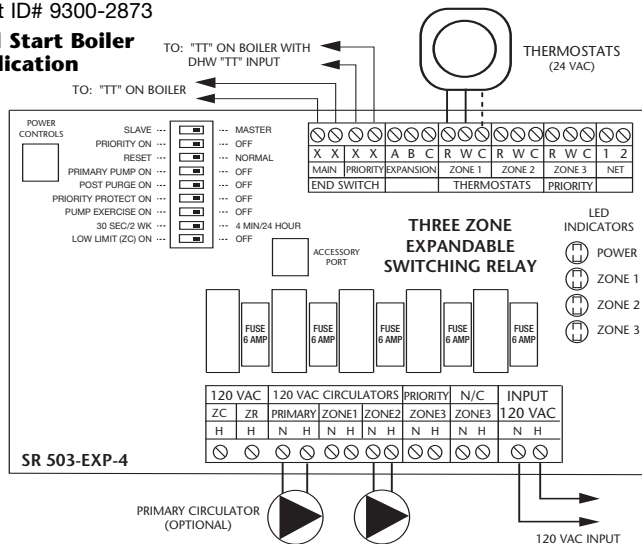
102-387

SUPERSEDES: New

EFFECTIVE: May 1, 2010

Plant ID# 9300-2873

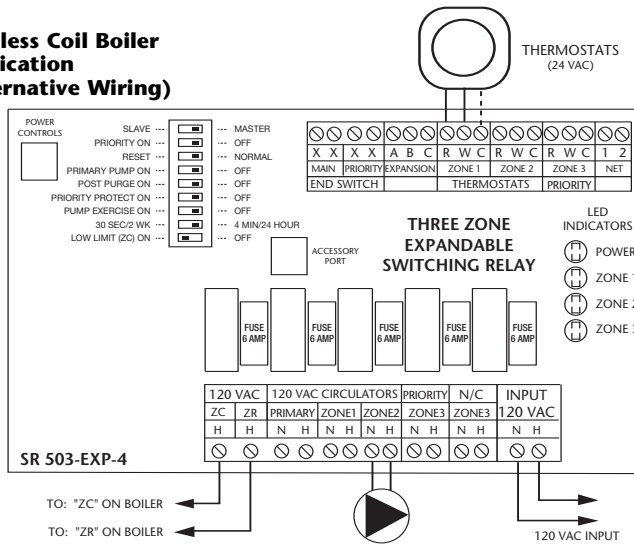
Cold Start Boiler Application



For Cold Start Boiler Application

Operation: When any thermostat calls for heat, the appropriate circulating pump is energized and the isolated end switch (X and X) will start the boiler.

Tankless Coil Boiler Application (Alternative Wiring)



For Tankless Coil Boiler Application (Alternative Wiring)

Operation: When any thermostat calls for heat, the boiler will be enabled and appropriate circulating pump is energized when the boiler temperature is above the set low limit and low limit (ZC) dip switch is set to on.

ZC and ZR Terminals: Connect terminal ZC to ZC terminal on the aquastat control. Connect ZR to ZR terminal on the aquastat control. Confirm polarity is consistent between boiler aquastat and switching relay.

For more wiring diagrams, visit www.taco-hvac.com.

WARNING: When using Alternative Wiring diagram, wiring instructions must be followed so power originates from the boiler aquastat. Failure to follow these wiring instructions may result in a secondary source of power being connected to the boiler that may activate it under certain circumstances, causing injury or death.

For Both Cold Start Boiler Application and Tankless Coil Boiler Application (Alternative Wiring)

Priority Operation: When the priority dip switch is set to ON and the priority zone is actuated, all other zones will stop operation until priority zone is satisfied. When not switched to priority, all zones will operate independently.

Mode Operation: When the dip switch is set to NORMAL, the end switch relay will be energized if any zone is in operation. When the switch is set to RESET, the end switch relay will only be energized if the priority zone is in operation, or through the operation of a plug-in reset control.

Primary Pump Operation: When the dip switch is set to OFF, the primary circulating pump output will energize when any zone calls for heat, except the priority zone. When the dip switch is set to ON, the primary circulating pump output will energize when any zone calls for heat.

Post Purge Operation: When the dip switch is set to ON, the priority zone output will stay energized for 2 minutes after its thermostat or aquastat is satisfied, but not operate the boiler.

Priority Protection Operation: When the dip switch is set to ON, and if the priority zone calls continuously for more than one hour, power is returned to all the other zones, allowing each zone to function independently. Once the priority zone is satisfied, the control's auto-reset is activated and the priority zone is again allowed to have priority for up to one hour starting from when it calls next.

Pump Exercise Operation: When the dip switch is set to ON, the solid state timer cycles all the circulating pumps that are attached to the Expandable Switching Relay at the selected time interval. The time interval can be set for the pumps to run for either 30 seconds every 2 weeks or for 4 minutes every 24 hours.

Low Limit (ZC) Operation: When the dip switch is set to ON and the boiler drops below the set low limit (terminal ZC connected to boiler),

all zone circulating pumps will stop. When the boiler rises above the set low limit, the zone circulating pumps are allowed to operate.

End Switches (Dry Contacts): The main end switch closes when any zone thermostat calls for heat and the mode switch is set to NORMAL. The main end switch also closes when the mode switch is set to RESET and a PC Series boiler reset power control is calling for heat. The priority end switch closes only when the priority zone thermostat or aquastat is calling for heat.

Expansion Connections: Set the expansion switch to MASTER on the switching relay that has the designated priority zone or is utilizing the PC Series plug-in option. Set all other daisy chained controls to SLAVE. Using thermostat wire (18-22 gauge) connect between terminals A, B, C on the master control to the corresponding A, B, C on the SLAVE control(s). Controls may be daisy chained up to 20 zoning panels using any combination of -EXP controls (120 zones if all are 6 zone panels).

Thermostat Input (24 vac):

- R** Hot side of transformer. Connect to **R** on thermostat.
- W** Switched **R** signal from thermostat. Connect to **W** on thermostat.
- C** Common side of transformer. Connect to **COM** on thermostat (optional).
- NET** Network terminals 1 & 2 are tied together for wiring convenience when using communicating style thermostats (optional).

120 VAC Connections (N is Neutral, H is Hot):

- Power Input** Connect 120 Volt AC power
- Primary** Primary Pump (optional)
- Zone 1-2** Circulator Zones
- Priority Zone 3** Priority Zone (if enabled) or Zone 3
- N/C Zone 3** Normally closed terminals for the Priority Zone. Will deactivate on a Priority Zone call.

WARNING: Wiring connections must be made in accordance with all applicable electrical codes. Use copper wire only. 120 VAC wiring must have a minimum temperature rating of 75°C. Failure to follow this instruction can result in personal injury or death and/or property damage. 12-18 gauge wire recommended for 120 VAC connections, 14-22 gauge wire for thermostat connections, and 14-22 gauge wire for 24 VAC source connections.

Specifications:

PRODUCT NUMBER	NUMBER OF ZONES	INPUT VOLTAGE	MAXIMUM COMBINED LOAD	TYPE 1 ENCLOSURE WIDTH	ENCLOSURE HEIGHT	ENCLOSURE DEPTH
SR503-EXP-4	3 with Priority	120/60/1 VAC	15 amps	10 3/4"	7"	2 3/4"

All circulator relay connections, including ZC/ZR, are rated 1/3 hp (6 FLA, 36 LRA) at 120 VAC. End switch connections are rated 24 VAC, 1 amp. All thermostat connections supply a 24 VAC class 2 output.

Dip Switch Settings:

SLAVE	—	<input type="checkbox"/>	—	MASTER
ZONE PRIORITY ON	—	<input type="checkbox"/>	—	OFF
RESET	—	<input type="checkbox"/>	—	NORMAL
PRIMARY PUMP FUNCTION ON	—	<input type="checkbox"/>	—	OFF
POST PURGE ON	—	<input type="checkbox"/>	—	OFF
PRIORITY PROTECTION ON	—	<input type="checkbox"/>	—	OFF
PUMP EXERCISE ON	—	<input type="checkbox"/>	—	OFF
30 SEC/2 WK	—	<input type="checkbox"/>	—	4 MIN/24 HOUR
LOW LIMIT (ZC) ON	—	<input type="checkbox"/>	—	OFF

This device complies with part 15 of the FCC Rules. Operation is subject to the following two conditions: (1) This device may not cause harmful interference, and (2) this device must accept any interference received, including interference that may cause undesired operation.

External Diagnostics: Externally visible lights show full functionality of the switching relay. The green light should always be on, indicating that power is connected. When the thermostat calls for heat, both the appropriate circulator and red indicating light are energized.

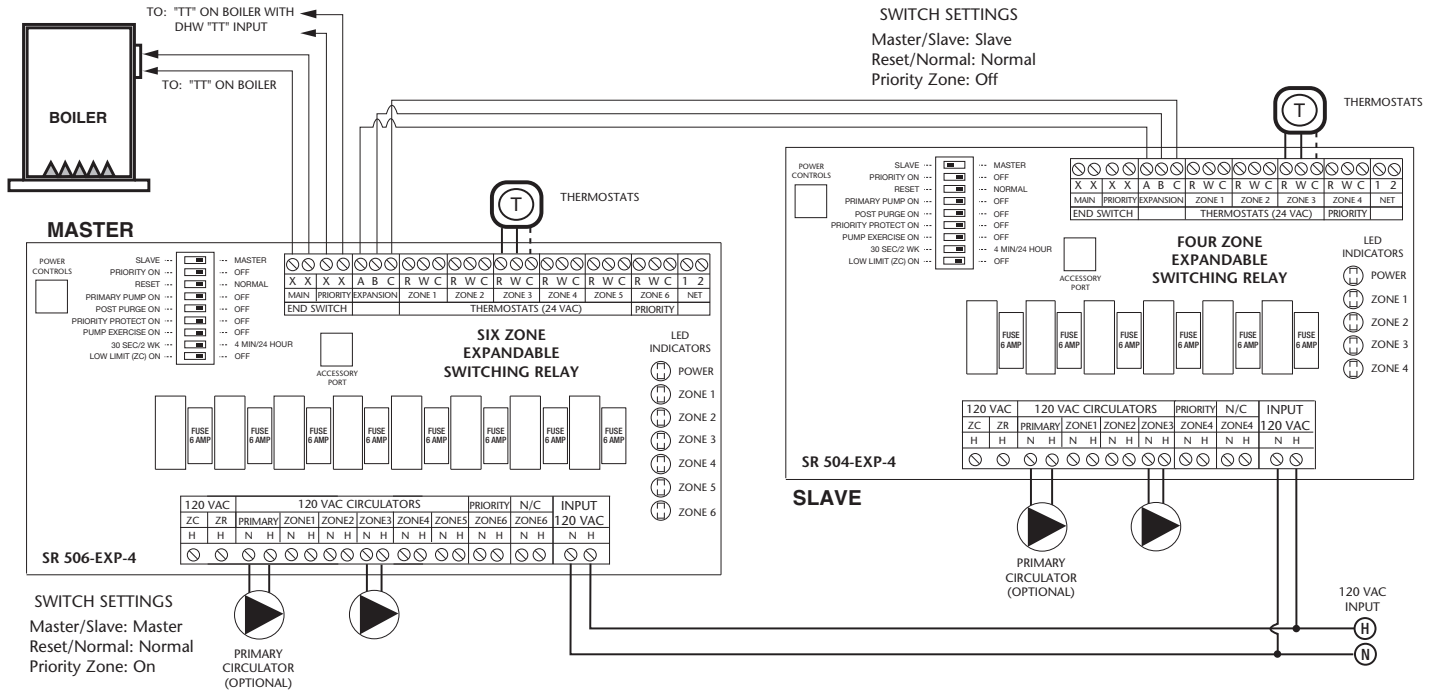
Features:

- Front External Indicator Lights
- Ideal for Retrofitting
- Primary Circulator Output
- Simplified Wiring
- Plug-In Power Controls
- Sealed Relays

- Compact Design
- Fuse Protected
- 100% Factory Tested
- Two Isolated End Switches
- Expandable to 20 Zoning Panels (120 zones if all are 6 zone panels)

- Contractor Friendly PC Board Layout
- Universal Thermostat Compatibility
- UL Approved
- 24 volt Power Input or Output Terminal
- Extended 3 Year Warranty
- Made in the USA

2 Expandable Switching Relays Connected Together



LIMITED WARRANTY STATEMENT

Taco, Inc. will repair or replace without charge (at the company's option) any product or part which is proven defective under normal use within three (3) years from the date of start-up or three (3) years and six (6) months from date of shipment (whichever occurs first).

In order to obtain service under this warranty, it is the responsibility of the purchaser to promptly notify the local Taco stocking distributor or Taco in writing and promptly deliver the subject product or part, delivery prepaid, to the stocking distributor. For assistance on warranty returns, the purchaser may either contact the local Taco stocking distributor or Taco. If the subject product or part contains no defect as covered in this warranty, the purchaser will be billed for parts and labor charges in effect at time of factory examination and repair.

Any Taco product or part not installed or operated in conformity with Taco instructions or which

has been subject to misuse, misapplication, the addition of petroleum-based fluids or certain chemical additives to the systems, or other abuse, will not be covered by this warranty.

If in doubt as to whether a particular substance is suitable for use with a Taco product or part, or for any application restrictions, consult the applicable Taco instruction sheets or contact Taco at [401-942-8000].

Taco reserves the right to provide replacement products and parts which are substantially similar in design and functionally equivalent to the defective product or part. Taco reserves the right to make changes in details of design, construction, or arrangement of materials of its products without notification.

TACO OFFERS THIS WARRANTY IN LIEU OF ALL OTHER EXPRESS WARRANTIES. ANY WARRANTY IMPLIED BY LAW INCLUDING WARRANTIES OF MERCHANTABILITY OR FIT-

NESS IS IN EFFECT ONLY FOR THE DURATION OF THE EXPRESS WARRANTY SET FORTH IN THE FIRST PARAGRAPH ABOVE.

THE ABOVE WARRANTIES ARE IN LIEU OF ALL OTHER WARRANTIES, EXPRESS OR STATUTORY, OR ANY OTHER WARRANTY OBLIGATION ON THE PART OF TACO.

TACO WILL NOT BE LIABLE FOR ANY SPECIAL, INCIDENTAL, INDIRECT OR CONSEQUENTIAL DAMAGES RESULTING FROM THE USE OF ITS PRODUCTS OR ANY INCIDENTAL COSTS OF REMOVING OR REPLACING DEFECTIVE PRODUCTS.

This warranty gives the purchaser specific rights, and the purchaser may have other rights which vary from state to state. Some states do not allow limitations on how long an implied warranty lasts or on the exclusion of incidental or consequential damages, so these limitations or exclusions may not apply to you.

CONTROLS MADE EASY.®

TACO, INC., 1160 Cranston Street, Cranston, RI 02920 Telephone: (401) 942-8000 FAX: (401) 942-2360.

TACO (Canada), Ltd., 8450 Lawson Road, Unit #3, Milton, Ontario L9T 0J8. Telephone: 905/564-9422. FAX: 905/564-9436.

Visit our web site at: <http://www.taco-hvac.com>

Printed in USA
Copyright 2010
TACO, Inc.