



Submittal Data Information

101-040

VorTech® & 4900 Series Air Separators

Effective: February 1, 2010

Supersedes: August 26, 2008

JOB _____ ENGINEER _____ CONTRACTOR _____ REP. _____

ITEM	QUANTITY	MODEL NUMBER	SIZE
------	----------	--------------	------

4900 Materials of Construction

Housing: Brass
 PALL Rings: Stainless Steel
 Venting Unit Components: Stainless Steel, EPDM, Viton, Brass, and Engineered Plastics

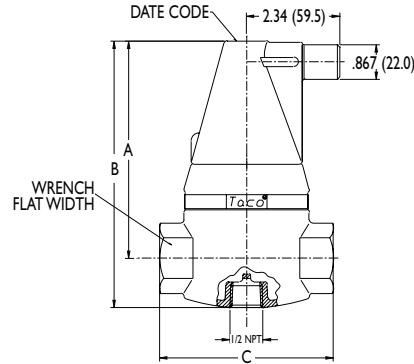
4900 Ratings

Maximum Operating Pressure: 150 psi
 Maximum Operating Temperature: 240°F
 Minimum Operating Temperature: 25°F
 Media: Water or Water/Glycol
 Maximum Velocity: 5 feet/sec

Product	Cv	Kv
49-075	14	12
49-100	24	20
49-125	37	32
49-150	49	42
49-200	73	63

4900 Dimensions & Weights Nominal Dim: inches (mm)

Model	Conn. Size	A	B	C (NPT)	C (SWT)	Wrench Flat Width	Approx. Shipping Weights	
							Lbs.	Kg.
49-075	3/4"	4-3/4 (121)	5-15/16 (151)	3-3/4 (96)	4-3/16 (107)	1-1/2 (38)	3.5	1.6
49-100	1"	5-1/2 (139)	6-3/4 (171)	4-3/8 (111)	4-13/16 (122)	1-3/4 (44)	4.5	2
49-125	1-1/4"	6-1/16 (154)	7-9/16 (192)	4-1/2 (114)	5-3/16 (132)	2-1/4 (57)	5.3	2.4
49-150	1-1/2"	6-1/16 (154)	7-9/16 (192)	4-1/2 (114)	5-7/16 (138)	2-1/2 (64)	5.4	2.5
49-200	2"	6-5/8 (169)	8-7/16 (214)	5-3/16" (131)	N/A	2-3/4 (70)	6.0	2.7



VorTech® Materials of Construction

Body & Cap: Cast Iron
 Cartridge & Plate: Stainless Steel
 O-Ring: Viton
 Vent: Taco 419 Hy-Vent®

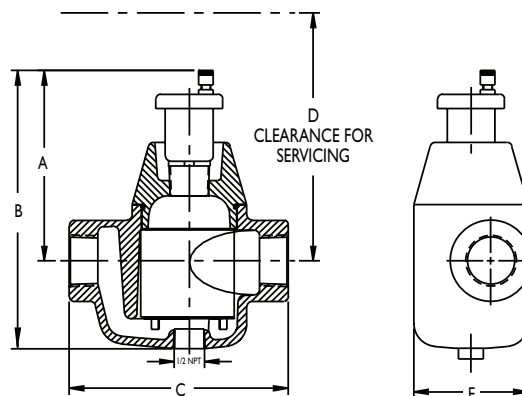
VorTech® Ratings

Maximum Operating Pressure: 150 psi
 Maximum Operating Temperature: 240°F
 Media: Water or Water/Glycol
 Recommended Velocity: 4 feet/sec
 Maximum Velocity: 8 feet/sec

Product	Cv	Kv
VRTX075	14	12.5
VRTX100	15.5	14.1
VRTX125	21.4	17.0
VRTX150	34.8	30.1
VRTX200	42.7	36.9

VorTech® Dimensions & Weights Nominal Dim: inches (mm)

Model	Conn. Size	A	B	C	D	E	Approx. Shipping Weights	
							Lbs.	Kg.
VRTX075	3/4" NPT	5 (127)	7 5/8 (194)	5 3/4 (146)	6 1/2 (165)	3 (76)	7	3.2
VRTX100	1" NPT	5 (127)	7 5/8 (194)	5 3/4 (146)	6 1/2 (165)	3 (76)	7	3.2
VRTX125	1 1/4" NPT	5 (127)	7 5/8 (194)	5 3/4 (146)	6 1/2 (165)	3 (76)	7	3.2
VRTX150	1 1/2" NPT	5 3/4 (146)	9 1/8 (232)	8 1/4 (210)	7 1/4 (184)	4 7/8 (124)	15	6.8
VRTX200	2" NPT	5 3/4 (146)	9 1/8 (232)	8 1/4 (210)	7 1/4 (184)	4 7/8 (124)	15	6.8



Do it Once. Do it Right.®

TACO INC., 1160 Cranston Street, Cranston, RI 02920 Telephone: (401) 942-8000 Fax: 942-2360
 TACO (Canada), Ltd., 6180 Ordan Drive, Mississauga, Ontario L5T 2B3 Telephone: (905) 564-9422
 Visit our website at: www.taco-hvac.com

Fax: (905) 564-9436

Printed in USA

Copyright 2010

TACO, Inc.