



Submittal Data Information

101-132

Shut-Off *freedom* Swivel Flange®

Effective: August 2, 2011

Supersedes: October 22, 2008

Job: _____ Engineer: _____ Contractor: _____ Rep: _____

ITEM NO.	MODEL NO.	

Features

- Easy 1/4-turn Open/Close Operation
- Positive Shut-off, Leak Free Design
- Swivel Flange allows 360° rotation
- Solid Brass Construction
- Chrome/Brass Valve Ball
- High Quality Teflon® Seats
- Full Port Ball Valve For Unrestricted Flow
- 150# WP
- Available Sizes: 1/2" — 1-1/2" NPT
1/2" — 1-1/2" Sweat
- Includes Bolts and Nuts

Materials of Construction

Valve Body: Solid Brass
 Valve Ball: Chrome Plated Brass
 Flange: Epoxy Powder Coated Steel
 Packing Seal: Teflon®¹
 Valve Seat : Teflon®
 Valve Stem: Brass
 Handle: Chrome Plated Steel/Vinyl Cover

¹Teflon is a Trademark of El Dupont de Nemours, Inc.

Operating Data

Maximum WP = 150 psi
 Maximum Operating Temp: 240°F (115°C°)

Shut-off Flanges for Taco® Circulator Models

Size	Model # NPT	Model # Sweat	Taco® Circulator Model #
1/2"	SF-050T	SF-050S	006,005,007,008,009,0010
3/4"	SF-075T	SF-075S	0011,0013,0014, 00R, 0015
1"	SF-100T	SF-100S	110,111,112,113
1-1/4"	SF-125T	SF-125S	2400-10,2400-20, 2400-45,2400-50
1-1/2"	SF-150T	SF-150S	
1-1/4"	SF-125T-0012	SF-125S-0012	0012-F4
1-1/2"	SF-150T-0012	SF-150S-0012	2400-30, 2400-40

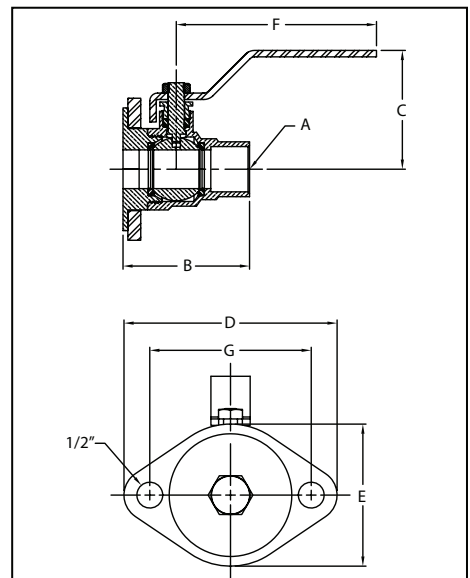
Application

The Taco Shut-Off *freedom* Swivel-Flange® is a combination full port shut-off ball valve and swivel companion flange for most Taco circulators. The simple quarter turn, lever handle operation allows for easy isolation, removal and service of circulators without draining the system. Each flange set includes bolts and nuts. Available in sizes 1/2" to 1-1/2", NPT and Sweat connections, rated for 240°F, 150# WP.

Dimensions & Weights

Model #	A Size	B in (mm)	C in (mm)	D in (mm)	E in (mm)	F in (mm)	G in (mm)	Wt./Set lbs. (kg)
SF-050T	1/2" NPT	2 (51)	2 (51)	4-1/8 (105)	2-3/4 (70)	3-7/8 (98)	3-1/8 (79)	2.5 (1.1)
SF-075T	3/4" NPT	2-1/4 (57)	2 (51)	4-1/8 (105)	2-3/4 (70)	3-7/8 (98)	3-1/8 (79)	3.0 (1.4)
SF-100T	1" NPT	2-1/2 (64)	2-1/2 (64)	4-1/8 (105)	2-3/4 (70)	4-1/2 (114)	3-1/8 (79)	3.5 (1.6)
SF-125T	1-1/4" NPT	2-3/4 (70)	2-7/8 (73)	4-1/8 (105)	2-3/4 (70)	4-1/2 (114)	3-1/8 (79)	4.0 (1.8)
SF-150T	1-1/2" NPT	3-7/8 (98)	3-1/2 (89)	4-1/8 (105)	2-3/4 (70)	5-1/2 (140)	3-1/8 (79)	5.2 (2.3)
SF-125T-0012	1-1/4" NPT	2-3/4 (70)	2-7/8 (73)	4-1/2 (114)	3 (76)	4-1/2 (114)	3-1/2 (89)	4.7 (2.1)
SF-150T-0012	1-1/2" NPT	3-7/8 (98)	3-1/2 (89)	4-1/2 (114)	3 (76)	5-1/2 (140)	3-1/2 (89)	6.9 (3.1)
SF-050S	1/2" Swt.	2 (51)	2 (51)	4-1/8 (105)	2-3/4 (70)	3-7/8 (98)	3-1/8 (79)	2.5 (1.1)
SF-075S	3/4" Swt.	2-1/2 (64)	2 (51)	4-1/8 (105)	2-3/4 (70)	3-7/8 (98)	3-1/8 (79)	3.0 (1.4)
SF-100S	1" Swt.	2-3/4 (70)	2-1/2 (64)	4-1/8 (105)	2-3/4 (70)	4-1/2 (114)	3-1/8 (79)	3.5 (1.6)
SF-125S	1-1/4" Swt.	3 (76)	2-3/4 (70)	4-1/8 (105)	2-3/4 (70)	4-1/2 (114)	3-1/8 (79)	4.0 (1.8)
SF-150S	1-1/2" Swt.	4-1/8 (105)	3-1/2 (89)	4-1/8 (105)	2-3/4 (70)	5-1/2 (140)	3-1/8 (79)	6.0 (2.7)
SF-125S-0012	1-1/4" Swt.	3 (76)	2-3/4 (70)	4-1/2 (114)	3 (76)	4-1/2 (114)	3-1/2 (89)	4.7 (2.1)
SF-150S-0012	1-1/2" Swt.	4-1/8 (105)	3-1/2 (89)	4-1/2 (114)	3 (76)	5-1/2 (140)	3-1/2 (89)	6.9 (3.1)

Dimensions and weights are approximate.



Taco, Inc., 1160 Cranston Street, Cranston, RI 02920 | Tel: (401) 942-8000 | FAX: (401) 942-2360

Taco (Canada), Ltd., 8450 Lawson Road, Suite #3, Milton, Ontario L9T 0J8 | Tel: (905) 564-9422 | FAX: (905) 564-9436

Visit our web site: www.TacoComfort.com | Printed in USA | ©2015 Taco, Inc.

