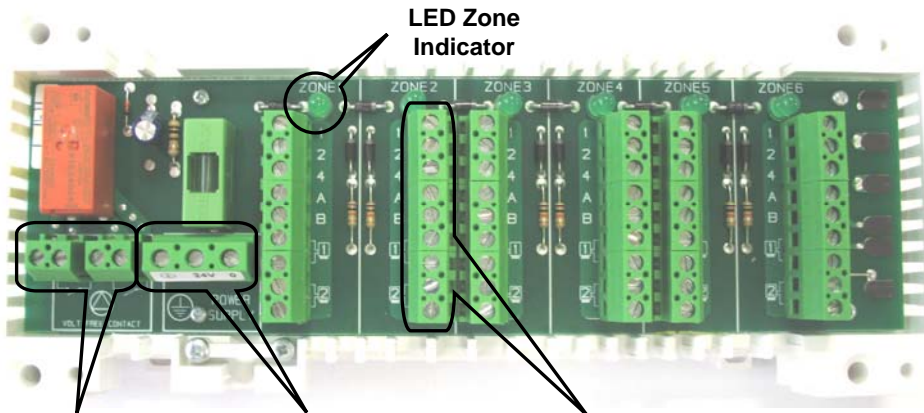


Pro 6 Zone Master 450004
Zone Master w/ Pump Relay



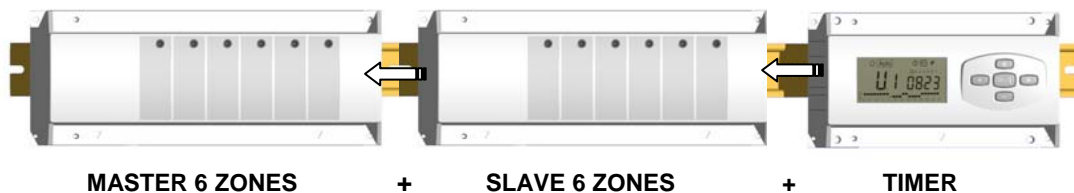
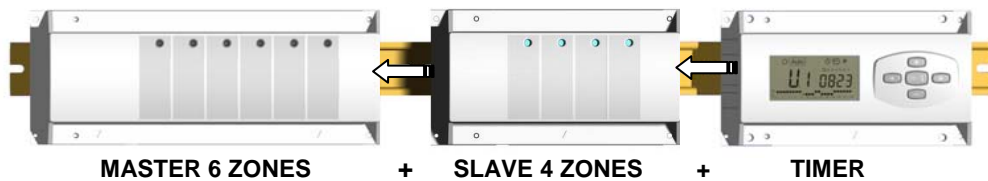
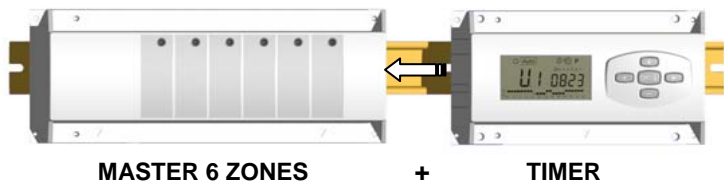
LED Zone Indicator

Screw connector for pump and accessories

Screw connector for power supply

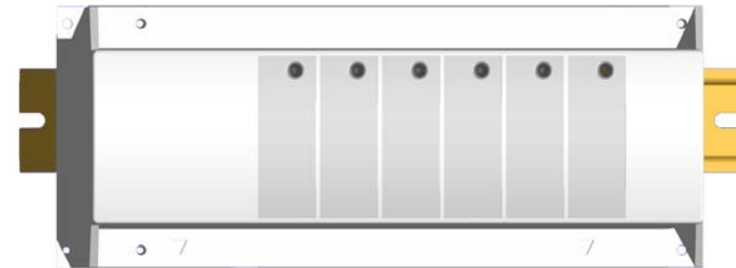
Supply for thermostat and actuators for 1 zone

POSSIBLES COMBINATIONS (6, 10, 12 zones)



USER GUIDE

Master 6 zones 24VAC for NC actuators (Normally Closed)



TECHNICAL CHARACTERISTICS

Operating temperature	32°F - 122°F
Circuit Protection	Class I - IP20
Power supply	24 VAC +/- 10%
Output	<p><u>Pump & accessories:</u> Relay => 2 free contact 8A 120Vac</p> <p><u>Zones:</u> 6 independent zones => the maximum output power of each zones depends on thermostat connecting on this zone. The maximum current for all connected actuators is 2.5A</p>

FUNCTION and DESCRIPTION

The **MASTER** with 6 zones is a wiring module with built in pump and auxiliary logic. All the main electrical connections for a radiant floor heating system are existing. This box can be adapted either on a DIN rail or directly on a wall. (the DIN rail mounting permit to add with facility a **SLAVE** module or **TIMER**). It connects room thermostats to their corresponding actuators. The state of the zones are indicated by individual LEDs. By using terminal A and B, the pilot wire of thermostats can be controlled by an external **TIMER**. As soon as we have a heat demand from one zone a relay with 2 potential-free contacts is switched on (pump, boiler or other possible connection).

LED INDICATOR

Green: - Heating indication (water circulation on this zone)

WIRING EXAMPLE

