

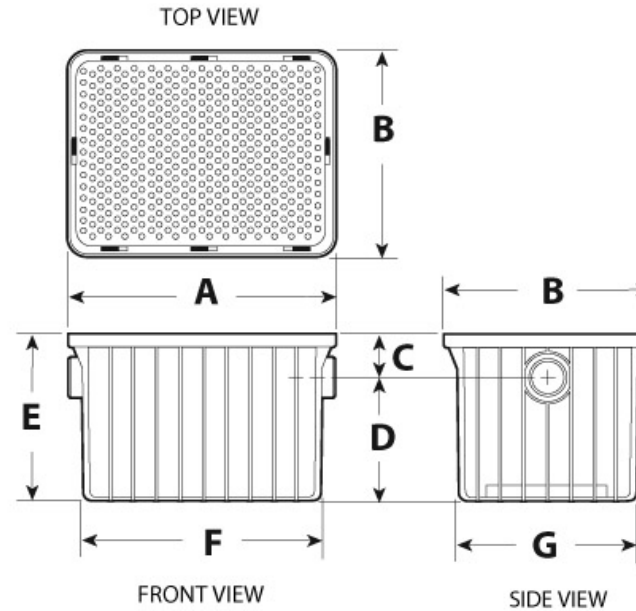


Submittal Sheet

Part Description:
 3" Gray Endura 35 Gallons Per Minute (GPM)
 70lbs Grease Interceptor

Part Number:
 3935A03

Approvals and Listings maintained by:
Canplas Industries Ltd
 Canada: 1-800-461-5300 USA: 1-888-461-5307



Part #	Part UPC	Size (inches)	Ctn Qty	Ctn Bar Code	Ctn. Wt (Kgs)	Ctn. Wt (lbs)	Skid Cubic (m)	Skid Cubic (ft)	Ctns/Skid
3935A03	662671390103	3X3	1	10662671390100	23.97	52.73	1.82	64.17	6

Dimensions (inches)

A	B	C	D	E	F	G	H	Z1	Z2
31	23.5	5.198	12.202	17.4	28.75	p_g	p_h	p_z1	p_z2