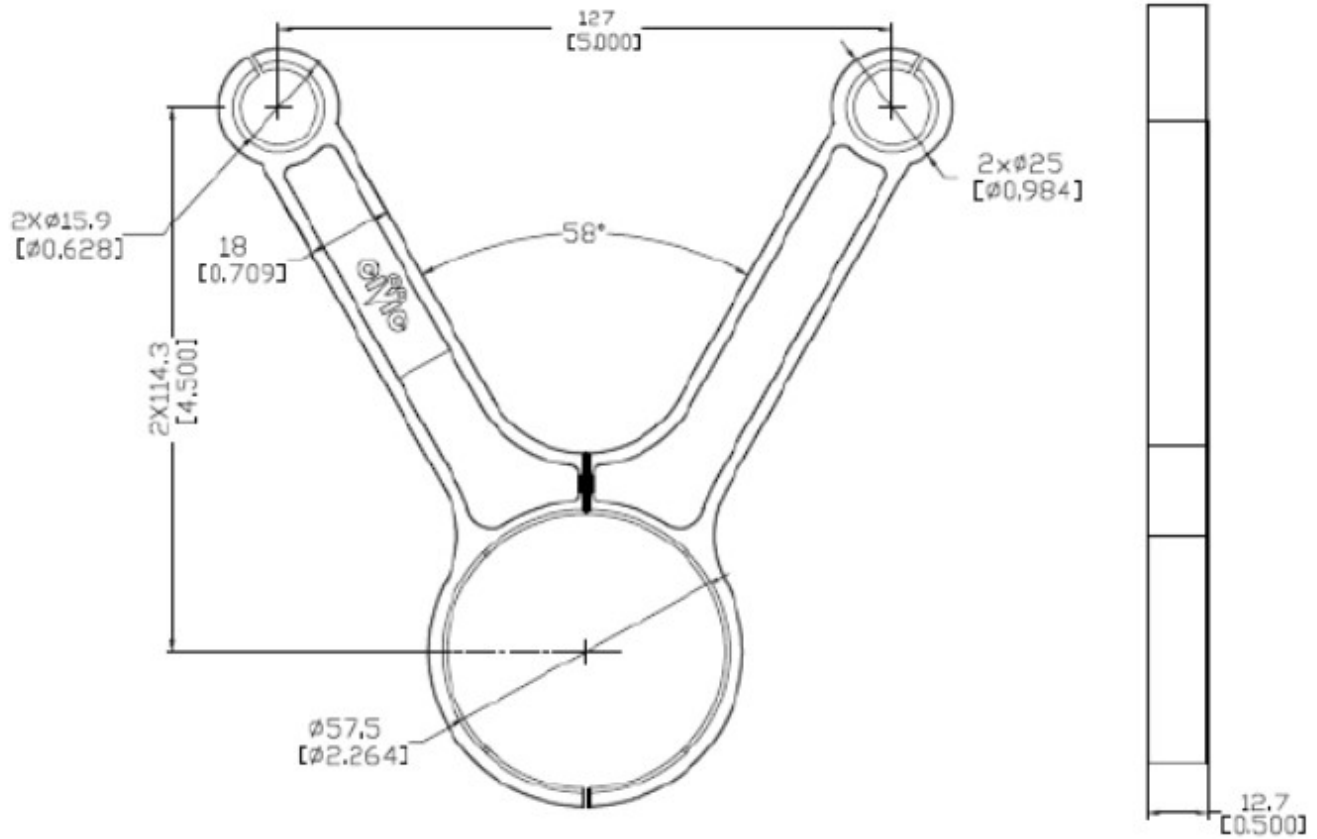




Guide Dimensions



Lustran ABS 433 (Col - Blk)
Acrylonitrile Butadiene Styrene
INEOS ABS (USA) YC-E44741-235636

Polylac PA-765 ABS-FR-17(Col - Grey)
Acrylonitrile Butadiene Styrene
CHI MEI CORP E56070-101317482