

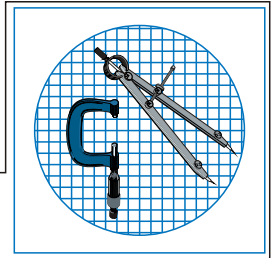


Montreal ~ Toronto ~ Vancouver ~ Cincinnati

www.bmicanada.com

1-800-361-1452

1-800-561-8579

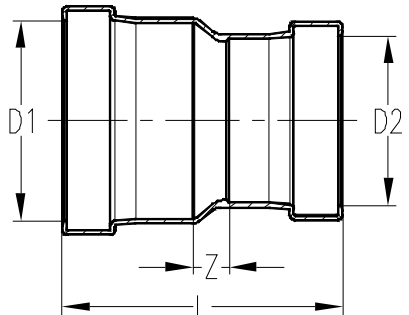
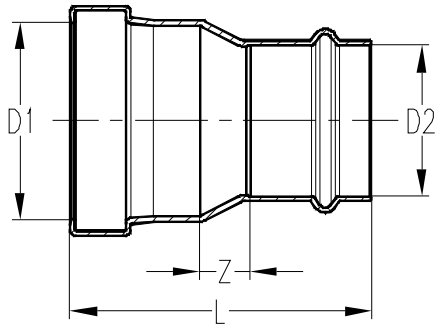
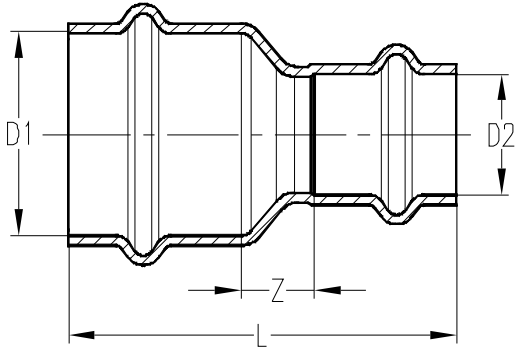
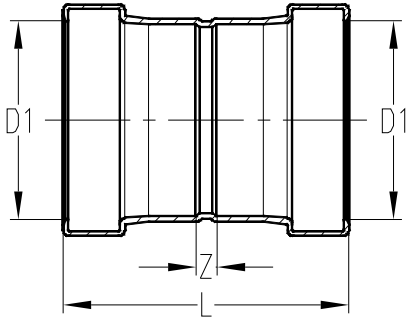
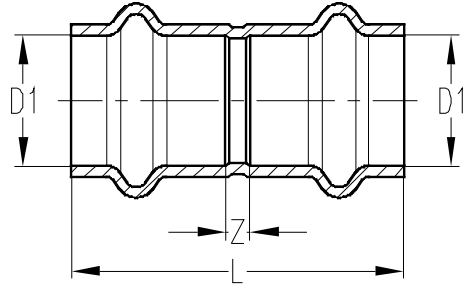


TECHNICAL INFORMATION

WROT COPPER PRESS-FIT FITTINGS



WROUGHT COPPER PRESS-FIT FITTINGS



Dot Stop Couplings

BMI#	SIZE (D1)	L (mm)	Z (mm)	Kg
47004	1/2	45.0	4.0	0.037
47005	3/4	52.0	4.0	0.059
47006	1	52.0	4.0	0.074
47007	1 1/4	64.0	6.0	0.099
47008	1 1/2	81.0	7.0	0.210
47009	2	89.0	7.0	0.276

47010	2 1/2	95.0	7.0	0.493
47011	3	111.0	9.0	0.658
47012	4	132.0	10.0	1.101

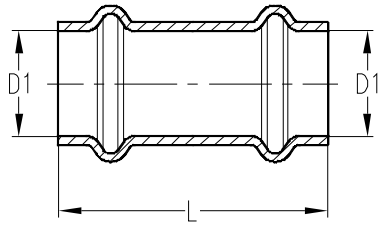
Reducing Couplings

BMI#	SIZE (D1xD2)	L (mm)	Z (mm)	Kg
47023	3/4 x 1/2	53.5	9.0	0.056
47027	1 x 3/4	57.0	9.0	0.081
47028	1 x 1/2	57.5	13.0	0.072
47031	1 1/4 x 1	61.5	8.5	0.103
47032	1 1/4 x 3/4	65.5	12.5	0.109
47035	1 1/2 x 1 1/4	77.0	11.0	0.176
47036	1 1/2 x 1	75.0	14.0	0.172
47037	1 1/2 x 3/4	81.0	20.0	0.177
47040	2 x 1 1/2	94.5	16.5	0.289
47041	2 x 1 1/4	91.0	21.0	0.248
47042	2 x 1	90.0	25.0	0.211
47043	2 x 3/4	94.5	29.5	0.247

47046	2 1/2 x 2	103.5	18.5	0.525
47047	2 1/2 x 1 1/2	108.0	27.0	0.493
47049	2 1/2 x 1	104.5	31.5	0.450

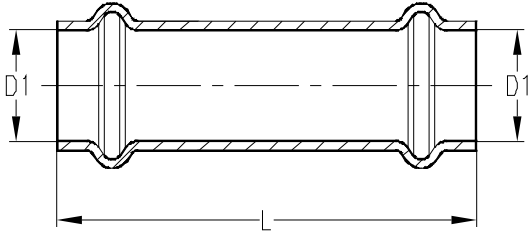
47051	3 x 2 1/2	113.0	18.0	0.787
47052	3 x 2	119.5	27.5	0.716
47056	4 x 3	135.0	23.0	1.267
47057	4 x 2 1/2	137.0	32.0	1.211
47058	4 x 2	144.0	42.0	1.121

WROUGHT COPPER PRESS-FIT FITTINGS



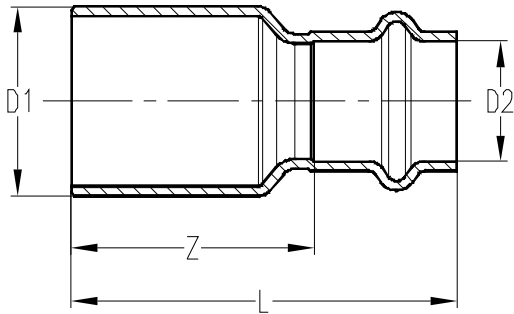
No Stop Couplings

BMI#	SIZE (D1)	L (mm)	Kg
47074	1/2	45.0	0.037
47075	3/4	52.0	0.059
47076	1	52.0	0.074
47077	1 1/4	64.0	0.099
47078	1 1/2	81.0	0.210
47079	2	89.0	0.276



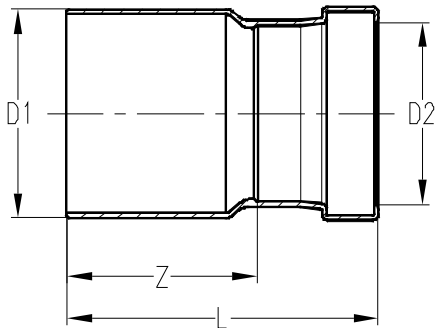
Long Repair Couplings

BMI#	SIZE (D1)	L (mm)	Kg
47084	1/2	76.0	0.090
47085	3/4	89.0	0.148
47086	1	95.0	0.185
47087	1 1/4	105.0	0.275
47088	1 1/2	120.0	0.538
47089	2	135.0	0.685

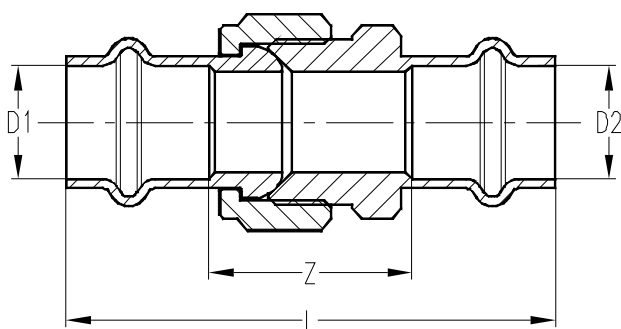


FTG x P Bushings

BMI#	SIZE (D1xD2)	L (mm)	Z (mm)	Kg
47123	3/4 x 1/2	52.5	32.0	0.049
47127	1 x 3/4	56.0	32.0	0.068
47128	1 x 1/2	56.5	36.0	0.061
47131	1 1/4 x 1	61.0	37.0	0.084
47132	1 1/4 x 3/4	65.0	41.0	0.089
47133	1 1/4 x 1/2	65.5	45.0	0.076
47135	1 1/2 x 1 1/4	76.0	47.0	0.132
47136	1 1/2 x 1	73.0	49.0	0.134
47137	1 1/2 x 3/4	76.0	52.0	0.125
47140	2 x 1 1/2	92.5	55.5	0.248
47141	2 x 1 1/4	89.0	60.0	0.209
47142	2 x 1	88.0	64.0	0.208



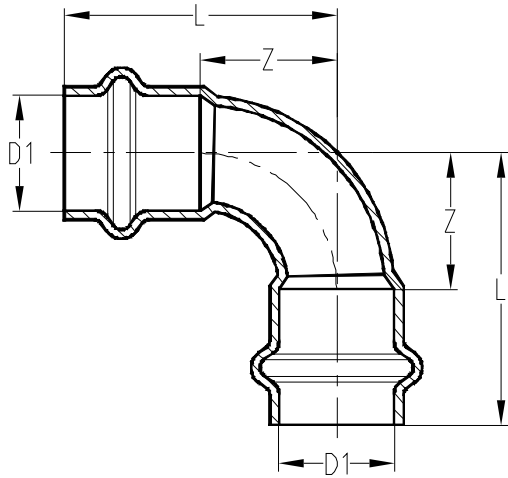
47146	2 1/2 x 2	104.5	63.5	0.411
47147	2 1/2 x 1 1/2	108.5	71.5	0.398
47148	2 1/2 x 1 1/4	105.0	76.0	0.362
47149	2 1/2 x 1	104.0	80.0	0.358
47151	3 x 2 1/2	113.5	69.5	0.628
47152	3 x 2	120.5	79.5	0.549
47153	3 x 1 1/2	124.5	87.5	0.549
47154	3 x 1 1/4	121.0	92.0	0.502
47156	4 x 3	139.5	88.5	1.141
47157	4 x 2 1/2	141.5	97.5	1.108
47158	4 x 2	148.5	107.5	1.059



Unions

BMI#	SIZE (D1)	L (mm)	Z (mm)	Kg
47104	1/2	70.0	29.0	0.150
47105	3/4	75.5	27.5	0.222
47106	1	82.0	34.0	0.390
47107	1 1/4	98.5	40.5	0.485
47108	1 1/2	118.0	44.0	0.799
47109	2	128.5	46.5	1.266

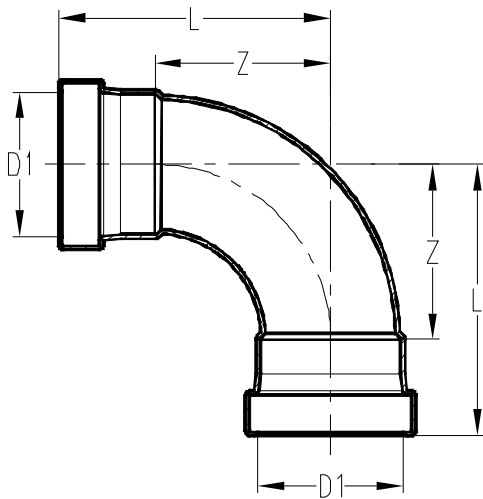
WROUGHT COPPER PRESS-FIT FITTINGS



Elbows 90°

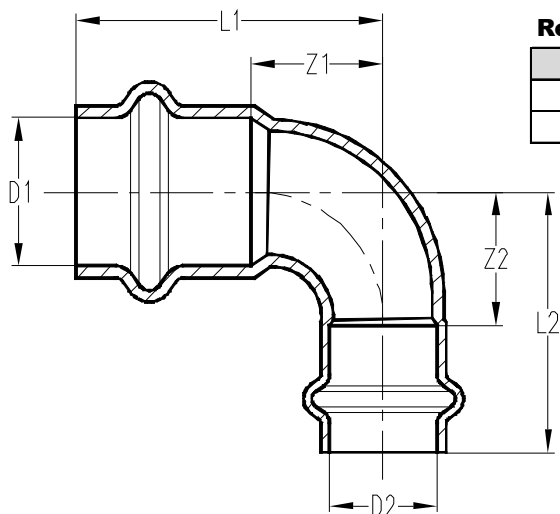
BMI#	SIZE (D1)	L (mm)	Z (mm)	Kg
47304	1/2	39.5	19.0	0.054
47305	3/4	51.0	27.0	0.090
47306	1	58.0	34.0	0.131
47307	1 1/4	68.0	39.0	0.184
47308	1 1/2	83.0	46.0	0.358
47309	2	102.0	61.0	0.548

47310	2 1/2	124.0	80.0	0.951
47311	3	146.0	95.0	0.953
47312	4	185.0	124.0	2.549

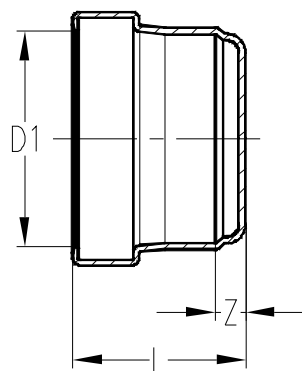
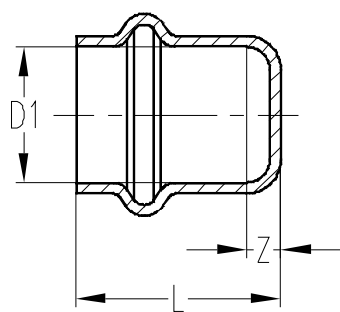
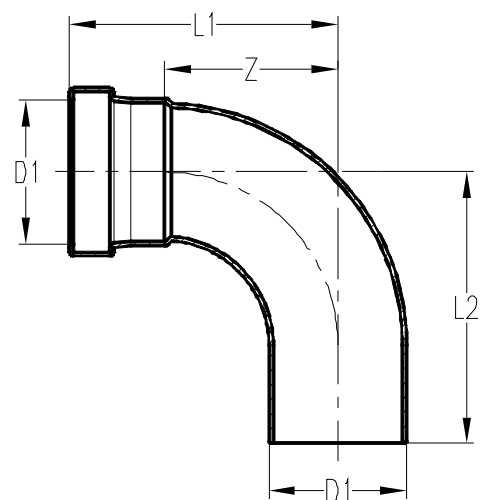
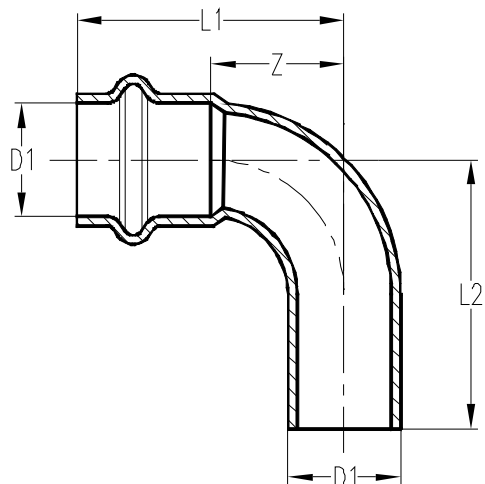


Reducing Elbows 90°

BMI#	SIZE (D1xD2)	L1 (mm)	Z1 (mm)	L2 (mm)	Z2 (mm)	Kg
47323	3/4 X 1/2	47.5	23.5	44.0	23.5	0.088
47327	1 X 3/4	58.0	34.0	51.5	27.5	0.135



WROUGHT COPPER PRESS-FIT FITTINGS



FTG x P Elbows 90°

BMI#	SIZE (D1)	L1 (mm)	Z (mm)	L2 (mm)	Kg
47354	1/2	39.5	19.0	43.5	0.050
47355	3/4	51.0	27.0	53.5	0.084
47356	1	58.0	34.0	60.5	0.125
47357	1 1/4	68.0	39.0	74.0	0.187
47358	1 1/2	83.0	46.0	90.5	0.347
47359	2	102.0	61.0	109.0	0.526

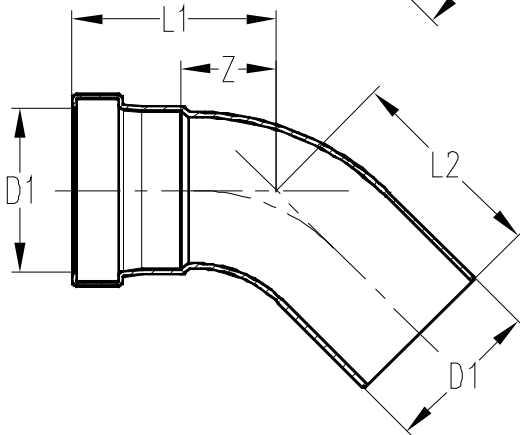
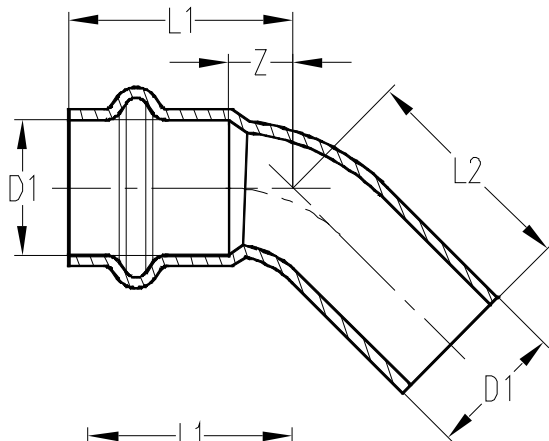
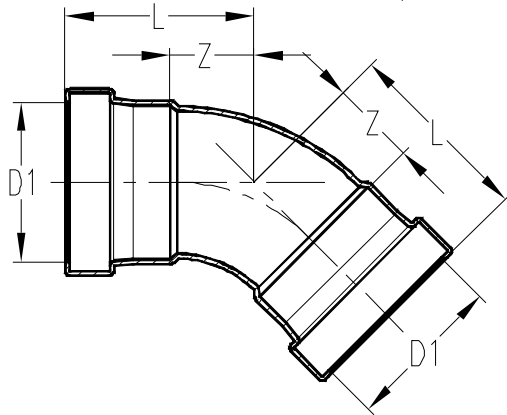
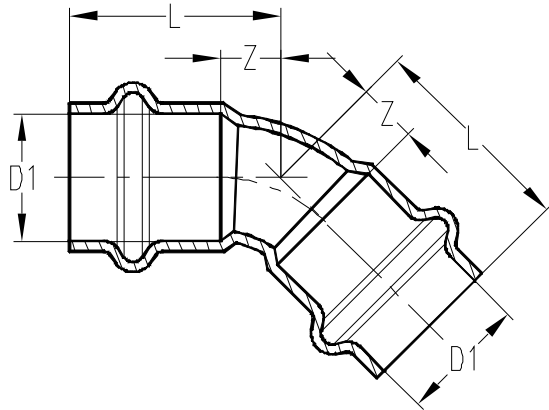
47360	2 1/2	124.0	80.0	131.5	0.931
47361	3	146.0	95.0	154.0	1.379
47362	4	185.0	124.0	194.0	2.585

Caps

BMI#	SIZE (D1)	L (mm)	Z (mm)	Kg
47504	1/2	22.5	2.0	0.023
47505	3/4	26.0	2.0	0.036
47506	1	26.0	2.0	0.047
47507	1 1/4	32.0	3.0	0.068
47508	1 1/2	42.5	5.5	0.127
47509	2	47.0	6.0	0.185

47510	2 1/2	51.0	7.0	0.310
47511	3	59.0	8.0	0.442
47512	4	70.0	9.0	0.761

WROUGHT COPPER PRESS-FIT FITTINGS



Elbows 45°

BMI#	SIZE (D1)	L (mm)	Z (mm)	Kg
47204	1/2	28.0	7.5	0.044
47205	3/4	35.5	11.5	0.074
47206	1	38.5	14.5	0.098
47207	1 1/4	50.0	21.0	0.140
47208	1 1/2	58.5	21.5	0.274
47209	2	62.0	21.0	0.394

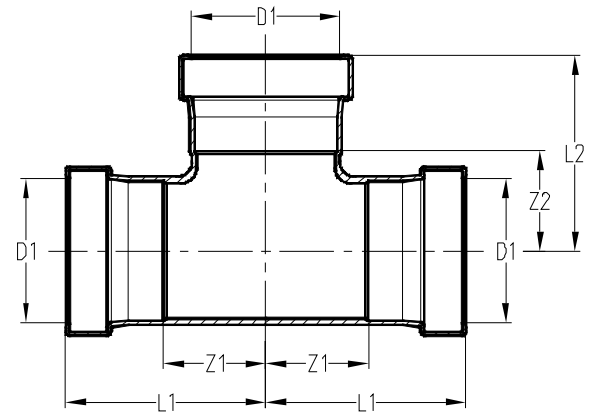
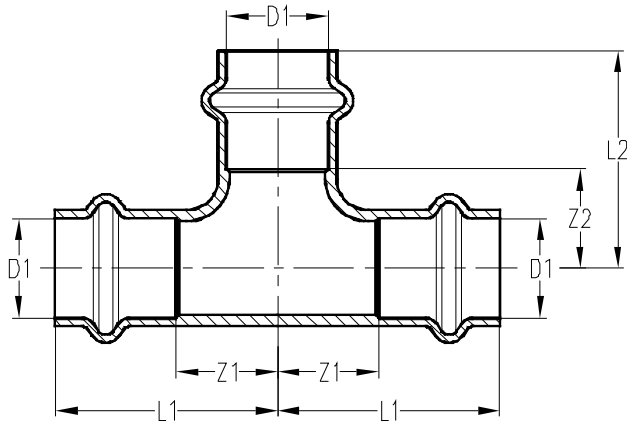
47210	2 1/2	80.0	36.0	0.789
47211	3	94.0	43.0	1.030
47212	4	122.0	61.0	1.865

FTG x P Elbows 45°

BMI#	SIZE (D1)	L1 (mm)	Z (mm)	L2 (mm)	Kg
47254	1/2	28.0	7.5	31.0	0.041
47255	3/4	35.5	11.5	37.0	0.069
47256	1	38.5	14.5	40.0	0.095
47257	1 1/4	50.0	21.0	48.5	0.134
47258	1 1/2	58.5	21.5	60.0	0.262
47259	2	62.0	21.0	70.0	0.381

47260	2 1/2	80.0	36.0	86.0	0.711
47261	3	94.0	43.0	101.0	1.054
47262	4	122.0	61.0	129.0	1.795

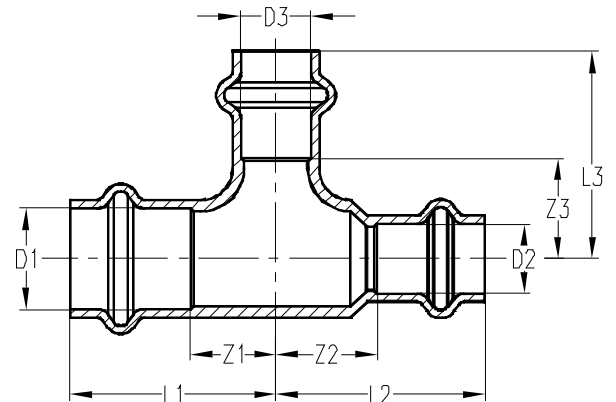
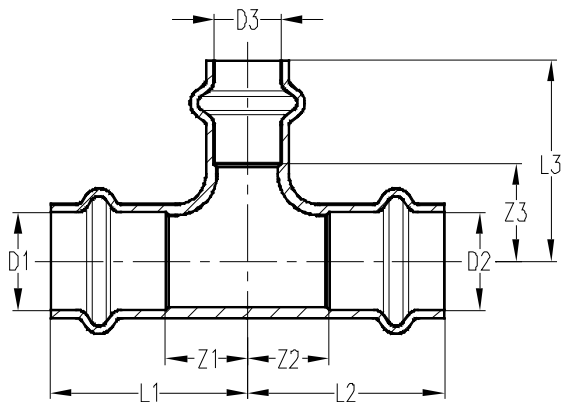
WROUGHT COPPER PRESS-FIT FITTINGS



Tees

BMI#	SIZE (D1)	L1 (mm)	Z1 (mm)	L2 (mm)	Z2 (mm)	Kg
47404	1/2	40.0	19.5	33.0	12.5	0.097
47405	3/4	45.5	21.5	39.0	15.0	0.158
47406	1	48.5	24.5	44.0	20.0	0.231
47407	1 1/4	55.0	26.0	51.0	22.0	0.301
47408	1 1/2	66.0	29.0	66.0	29.0	0.554
47409	2	76.0	35.0	76.0	35.0	0.783

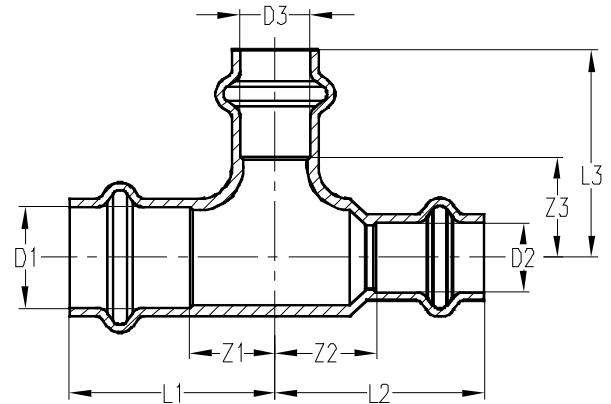
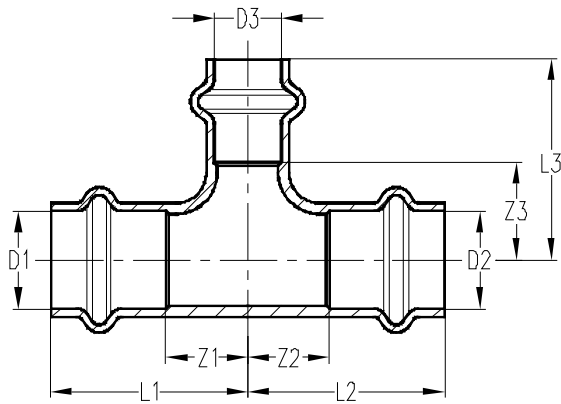
47410	2 1/2	90.5	46.5	91.5	47.5	0.965
47411	3	103.5	52.5	107.0	56.0	1.366
47412	4	127.0	66.0	131.0	70.0	2.485



Reducing Tees

BMI#	SIZE (D1xD2xD3)	L1 (mm)	Z1 (mm)	L2 (mm)	Z2 (mm)	L3 (mm)	Z3 (mm)	Kg
47420	1/2 x 1/2 x 3/4	43.5	23	43.5	23	39	15	0.132
47429	3/4 x 3/4 x 1/2	41.5	17.5	41.5	17.5	35.5	15	0.132
47430	3/4 x 1/2 x 3/4	45.5	21.5	47.5	27	39	15	0.150
47437	1 x 1 x 1 1/4	59	35	59	35	51	22	0.465
47438	1 x 1 x 3/4	45.5	21.5	45.5	21.5	44	20	0.206
47439	1 x 1 x 1/2	41.5	17.5	41.5	17.5	40.5	20	0.186
47442	1 x 3/4 x 1	48.5	24.5	55	31	44	20	0.219
47448	1 x 1/2 x 1	48.5	24.5	56.5	36	44	20	0.218

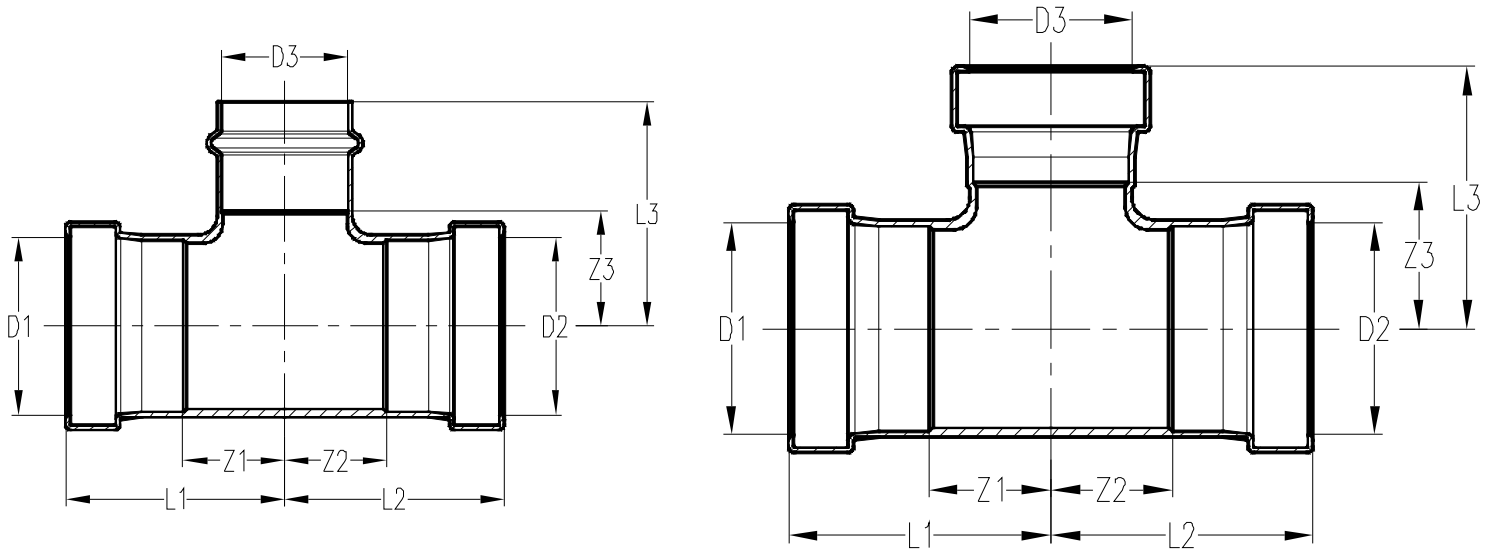
WROUGHT COPPER PRESS-FIT FITTINGS



Reducing Tees

BMI#	SIZE (D1xD2xD3)	L1 (mm)	Z1 (mm)	L2 (mm)	Z2 (mm)	L3 (mm)	Z3 (mm)	Kg
47453	1 1/4 x 1 1/4 x 1	51.5	22.5	51.5	22.5	46	22	0.256
47454	1 1/4 x 1 1/4 x 3/4	48.5	19.5	48.5	19.5	46	22	0.228
47455	1 1/4 x 1 1/4 x 1/2	45.5	16.5	45.5	16.5	44	23.5	0.205
47458	1 1/4 x 1 x 1	51.5	22.5	55.5	31.5	46	22	0.341
47459	1 1/4 x 1 x 3/4	48.5	19.5	52.5	28.5	46	22	0.319
47460	1 1/4 x 1 x 1/2	45.5	16.5	49.5	25.5	44	23.5	0.296
47461	1 1/4 x 3/4 x 1 1/4	55	26	64.5	40.5	51	22	0.388
47462	1 1/4 x 3/4 x 1	51.5	22.5	61	37	46	22	0.353
47463	1 1/4 x 3/4 x 3/4	48.5	19.5	57	33	46	22	0.331
47465	1 1/4 x 1/2 x 1 1/4	55	26	65.5	45	51	22	0.367
47471	1 1/2 x 1 1/2 x 1 1/4	60.5	23.5	60.5	23.5	58	29	0.483
47472	1 1/2 x 1 1/2 x 1	57	20	57	20	53	29	0.416
47473	1 1/2 x 1 1/2 x 3/4	54	17	54	17	53	29	0.382
47474	1 1/2 x 1 1/2 x 1/2	54	17	54	17	62.5	42	0.341
47476	1 1/2 x 1 1/4 x 1 1/4	60.5	23.5	65	36	58	29	0.564
47477	1 1/2 x 1 1/4 x 1	57	20	61.5	32.5	53	29	0.533
47478	1 1/2 x 1 1/4 x 3/4	54	17	60	31	53	29	0.503
47480	1 1/2 x 1 x 1 1/2	66	29	69.5	45.5	66	29	0.663
47482	1 1/2 x 1 x 1	57	20	62.5	38.5	53	29	0.521
47483	1 1/2 x 1 x 3/4	54	17	59.5	35.5	53	29	0.492
47491	2 x 2 x 1 1/2	70	29	70	29	72	35	0.693
47495	2 x 2 x 1 1/4	67.5	26.5	67.5	26.5	64	35	0.605
47496	2 x 2 x 1	64	23	64	23	59	35	0.581
47497	2 x 2 x 3/4	61	20	61	20	57.5	33.5	0.542
47498	2 x 2 x 1/2	64	23	64	23	72.5	52	0.447
47516	2 x 1 1/2 x 2	76	35	91	54	76	35	0.994
47517	2 x 1 1/2 x 1 1/2	70	29	85.5	48.5	72	35	0.893
47518	2 x 1 1/2 x 1 1/4	67.5	26.5	83	46	64	35	0.829
47519	2 x 1 1/2 x 1	64	23	79.5	42.5	59	35	0.785
47520	2 x 1 1/2 x 3/4	61	20	76.5	39.5	57.5	33.5	0.773
47523	2 x 1 1/4 x 1 1/4	67.5	26.5	79.5	50.5	64	35	0.784

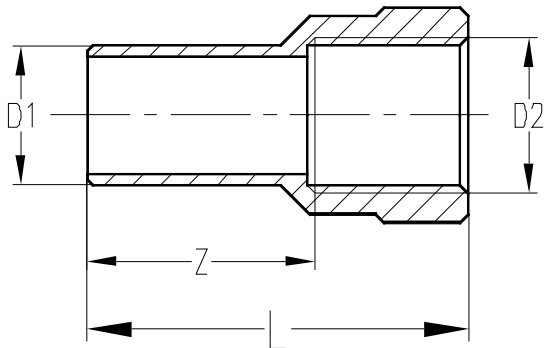
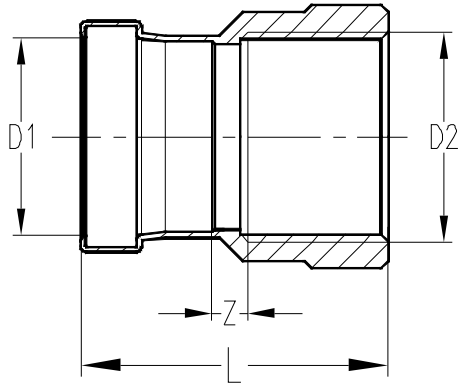
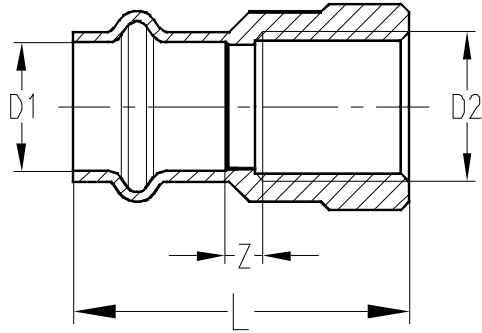
WROUGHT COPPER PRESS-FIT FITTINGS



Reducing Tees

BMI#	SIZE (D1xD2xD3)	L1 (mm)	Z1 (mm)	L2 (mm)	Z2 (mm)	L3 (mm)	Z3 (mm)	Kg
47534	2 1/2 x 2 1/2 x 2	83	39	83	39	86	45	0.965
47535	2 1/2 x 2 1/2 x 1 1/2	77	33	77	33	80	43	0.872
47536	2 1/2 x 2 1/2 x 1 1/4	73.5	29.5	73.5	29.5	74	45	0.811
47537	2 1/2 x 2 1/2 x 1	73.5	29.5	73.5	29.5	81	57	0.772
47538	2 1/2 x 2 1/2 x 3/4	73.5	29.5	73.5	29.5	85	61	0.743
47539	2 1/2 x 2 1/2 x 1/2	73.5	29.5	73.5	29.5	86	65.5	0.691
47540	2 1/2 x 2 x 2 1/2	90.5	46.5	105	64	91.5	47.5	1.557
47541	2 1/2 x 2 x 2	83	39	98	57	86	45	1.388
47542	2 1/2 x 2 x 1 1/2	77	33	92	51	80	43	1.310
47549	3 x 3 x 2 1/2	98	47	98	47	98.5	54.5	1.218
47550	3 x 3 x 2	90.5	39.5	90.5	39.5	92.5	51.5	1.247
47551	3 x 3 x 1 1/2	84.5	33.5	84.5	33.5	88.5	51.5	1.157
47552	3 x 3 x 1 1/4	84.5	33.5	84.5	33.5	95	66	1.057
47553	3 x 3 x 1	84.5	33.5	84.5	33.5	92	68	1.012
47554	3 x 3 x 3/4	84.5	33.5	84.5	33.5	95	71	0.973
47555	3 x 3 x 1/2	84.5	33.5	84.5	33.5	95.5	75	0.941
47560	3 x 2 x 2	90.5	39.5	106.5	65.5	92.5	51.5	1.869
47561	3 x 2 1/2 x 2	90.5	39.5	100.5	56.5	92.5	51.5	1.923
47570	4 x 4 x 3	114.5	53.5	114.5	53.5	119.5	68.5	3.563
47571	4 x 4 x 2 1/2	109	48	109	48	111.5	67.5	2.149
47572	4 x 4 x 2	101.5	40.5	101.5	40.5	105	64	1.927
47573	4 x 4 x 1 1/2	101.5	40.5	101.5	40.5	120.5	83.5	1.814
47574	4 x 4 x 1 1/4	101.5	40.5	101.5	40.5	117	88	1.736
47575	4 x 4 x 1	101.5	40.5	101.5	40.5	116	92	1.545
47576	4 x 4 x 3/4	101.5	40.5	101.5	40.5	121	97	1.580

WROUGHT COPPER PRESS-FIT FITTINGS



P x FIPS Adapters

BMI#	SIZE (D1xD2)	L (mm)	Z (mm)	Kg
47704	1/2	40.5	5.0	0.046
47705	3/4	44.0	3.0	0.078
47706	1	47.5	3.5	0.113
47707	1 1/4	54.5	3.5	0.157
47708	1 1/2	63.0	4.0	0.239
47709	2	71.0	4.0	0.355

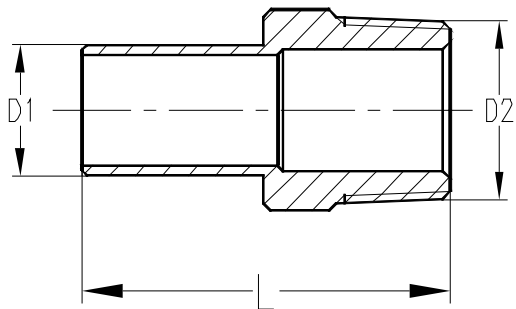
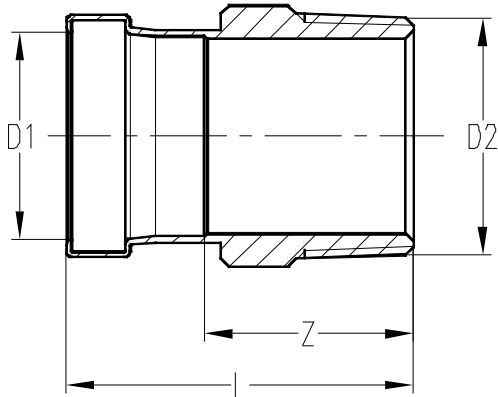
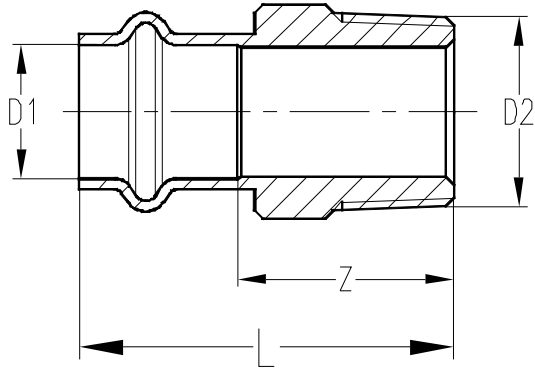
47710	2 1/2	90.0	14.0	0.567
47711	3	97.0	14.0	0.841

47717	1/2 x 3/4	41.5	4.0	0.068
47723	3/4 x 1/2	41.5	2.5	0.075
47726	1 x 1 1/4	52.5	6.5	0.209
47727	1 x 3/4	44.0	3.0	0.102
47728	1 x 1/2	41.5	2.5	0.130
47732	1 1/4 x 1 1/2	55.0	4.0	0.281
47736	1 1/2 x 1 1/4	63.5	4.5	0.210

FTG x FIPS Adapters

BMI#	SIZE (D1xD2)	L (mm)	Z (mm)	Kg
47784	1/2	43.0	28.0	0.042
47785	3/4	48.5	31.5	0.070
47786	1	50.5	31.5	0.105
47787	1 1/4	57.5	36.5	0.147
47788	1 1/2	69.5	46.5	0.221
47789	2	73.0	50.0	0.343

WROUGHT COPPER PRESS-FIT FITTINGS



P x MIPS Adapters

BMI#	SIZE (D1xD2)	L (mm)	Z (mm)	Kg
47804	1/2	42.5	22.0	0.049
47805	3/4	47.0	23.0	0.087
47806	1	50.0	26.0	0.129
47807	1 1/4	56.0	27.0	0.167
47808	1 1/2	66.0	29.0	0.284
47809	2	71.0	30.0	0.406

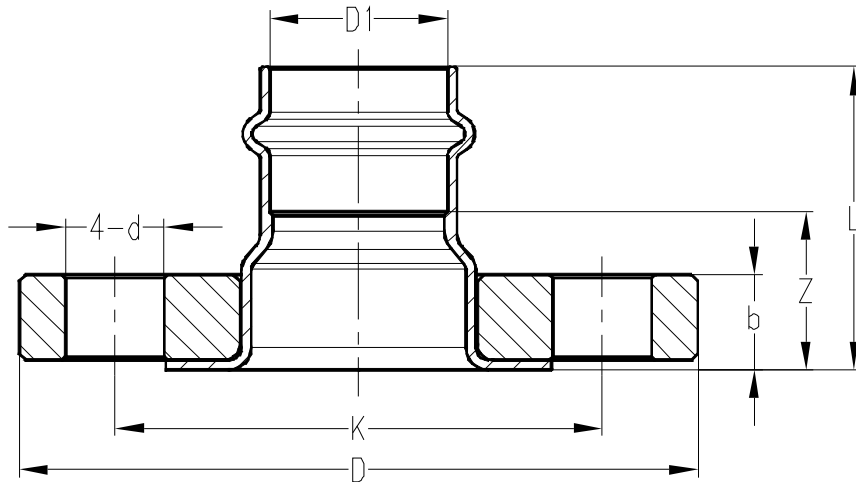
47810	2 1/2	95.0	51.0	0.735
47811	3	104.0	53.0	1.013
47812	4	119.0	58.0	1.739

47822	1/2 x 3/4	43.5	23.0	0.087
47823	3/4 x 1/2	47.0	23.0	0.076
47827	3/4 x 1	51.0	27.0	0.137
47831	1 x 1 1/4	53.0	29.0	0.205
47833	1 x 3/4	48.0	24.0	0.110
47835	1 1/4 x 1 1/2	58.0	29.0	0.269
47836	1 1/4 x 1	54.0	25.0	0.157
47842	1 1/2 x 2	67.0	30.0	0.456
47839	1 1/2 x 1 1/4	64.0	27.0	0.268

FTGxMIPS Adapters

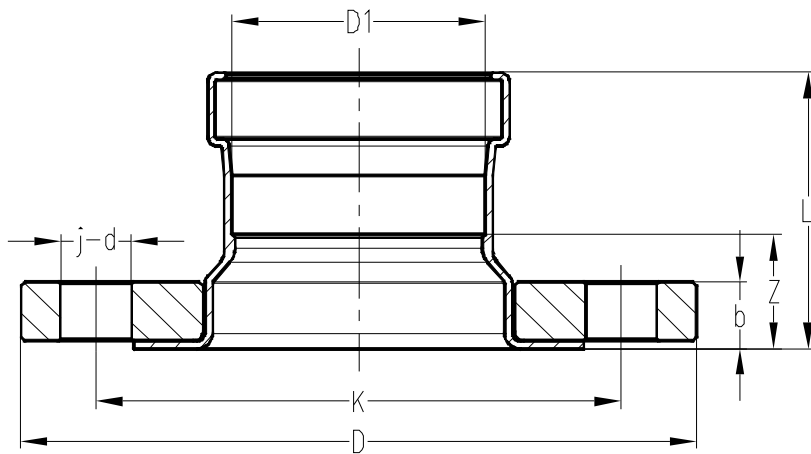
BMI#	SIZE (D1xD2)	L (mm)	Z (mm)	Kg
47884	1/2	48.0	28.0	0.044
47885	3/4	52.0	31.5	0.078
47886	1	55.0	31.5	0.123
47887	1 1/4	63.0	36.5	0.184
47888	1 1/2	76.0	46.5	0.269
47889	2	83.0	50.0	0.402

WROUGHT COPPER PRESS-FIT FITTINGS



Companion Flanges

BMI#	SIZE (D1)	L (mm)	Z (mm)	D (mm)	K (mm)	d (mm)	b (mm)	Kg
47606	1 x 4 1/4	50	26	110	79	16	16	0.262
47607	1 1/4 x 4 5/8	55	26	115	88.9	16	16	0.299
47608	1 1/2 x 5	65	28	125	98	16	16	0.361
47609	2 x 6	70	29	150	120.9	16	16	0.513



Companion Flanges

BMI#	SIZE (D1)	L (mm)	Z (mm)	D (mm)	K (mm)	d (mm)	b (mm)	Kg
47610	2 1/2 x 7	75	31	180	140	19	4	0.585
47611	3 x 7 1/2	85	34	190	151.9	19	4	0.753
47612	4 x 9	98	37	230	191	19	8	1.045

WROUGHT COPPER PRESS-FIT FITTINGS



Complies with:

- Materials: ASME/ASTM B42
C12200 (99.9% cu)
Dimensions: IAPMO PS 117-2016
Threads: ASME/ASTM B1.20.1
Drinking water: NSF/ANSI STANDARD
61 - 372 (Lead free)
Other: ISO9001, ISO14001



Application references:

All tubing used must be as per ASME/ASTM B88 standard K, L and M hard copper tubing from ½" to 4" and soft copper tubing in ½" to 1¼" diameters.

Compatible with all major brands pressing tools.

Can be used for:

- Potable Water
- Hydronic Heating (w/ Glycol)
- Chilled Water
- Compressed Air (200 psi max.)
- Non-medical Gases (140 psi maximum)
- Low Pressure Steam (15 psi maximum)

Operating information:

- Working pressure: 200 psi Max.
Max test pressure: 600 psi Max.
Low pressure steam: 15 psi Max.
Working temperature: 0~250 °F (-18~121 °C)
Vacuum: 29.2" Mercury @ 68 °F (20 °C)

Warranty:

BMI Press products carry a 50-year limited warranty against defects in material and workmanship.



**360°
Leak
Detection
Design**

Leak Detection Design

BMI Press fittings are made with a Leak Detection Design, providing fast and easy identification of unpressed connections during the pressure testing process in any installation angle possible.

The design feature provides a path for liquids and/or gases from inside the system past the sealing element of an unpressed connection.

When pressed according to instructions, the Leak Detection Design feature is neutralized, creating a leak proof, permanent connection.

Unpressed connections are located by pressurizing the system with air or water. When testing with water the suggested pressure of 15 to 85 psi maximum. (Test with air can be dangerous, manufacturer recommend testing compressed air at ½ to 45 psi maximum.)

Following a successful test, the system may be pressure tested up to 600 psi maximum for water and 200 psi maximum for air, depending on local code requirements.