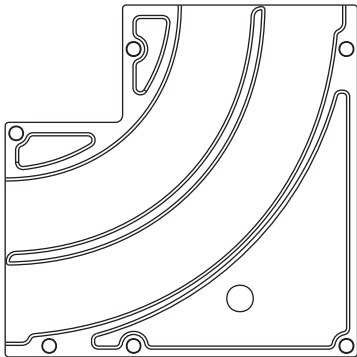
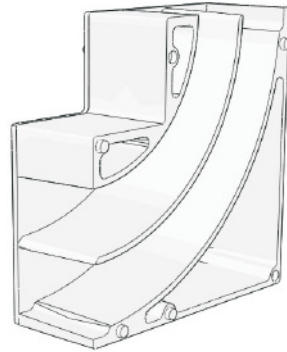


PEX-Pal

The Tubing Organizer



Patent pending



PEX-Pal

A Product of

AXIOM INDUSTRIES LIMITED

TOLL FREE: (877) 651-1815

PHONE: (306) 651-1815

FAX: (306) 651-2293

sales@pex-pal.com

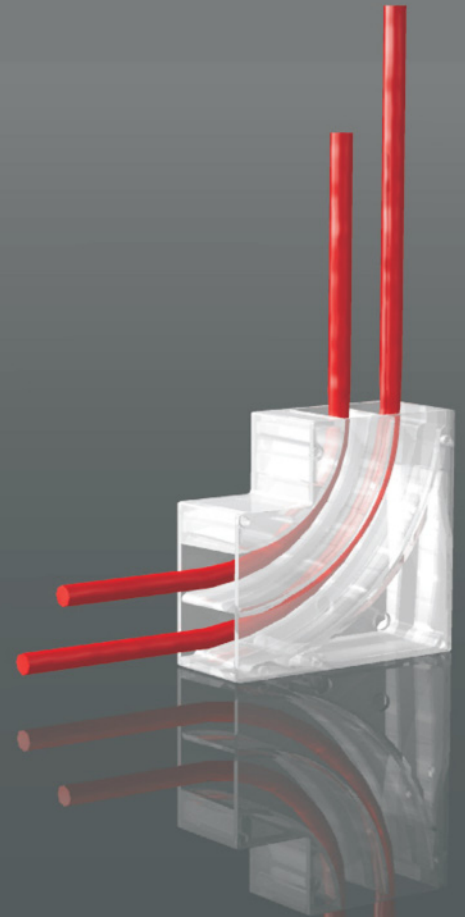
2615 B WENTZ AVE.

SASKATOON, SK

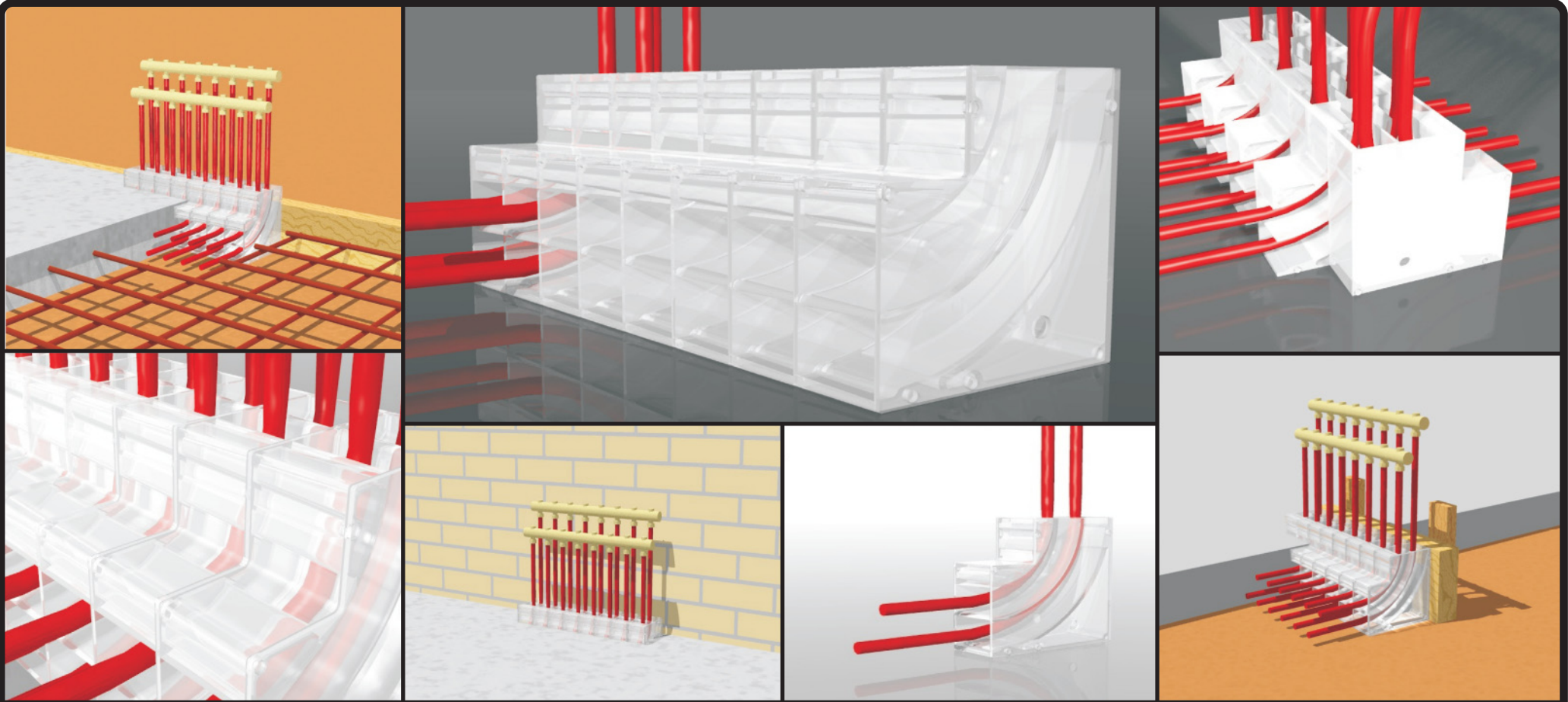
S7K 5J1

www.pex-pal.com

PEX-Pal



www.pex-pal.com



PEX-Pal

- Mounts to decking, rebar, ready-rod, or wooden forms
- Completely enclosed design protects the tubing at the floor surface
- Each channel keeps the supply and return pipes separate and directs them to the correct manifold
- Modular design allows the installer to add as many zones as required

The PEX-Pal is a tubing collector and organizer for radiant heating in-floor installations. The modular two channel design positions the supply and return pipes at the correct spacing required for connection to the manifolds.

- Reversibility of each module allows individual zones to be piped from opposite directions
- Each module is easily press fit together
- Maintains a larger radius than the manufacturers' recommended minimum for 3/4" and smaller PEX
- Constructed of high impact strength plastic