

Laars FT Series Boiler Integration with Google Nest® Wi-Fi Smart Thermostat*

1. Follow the install guide provided with the thermostat and mount base plate to the wall.



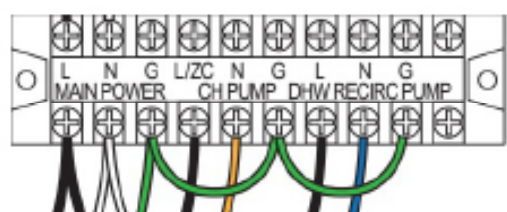
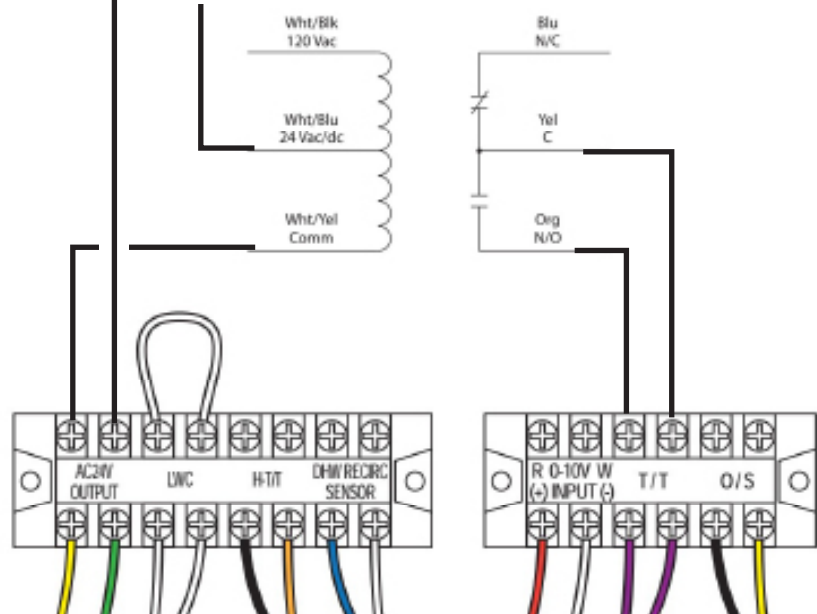
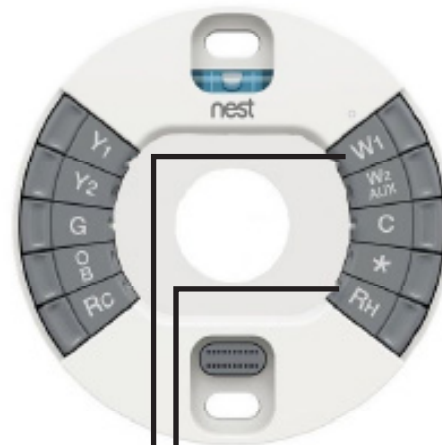
*FT Wall Hung Combi and Heat Only models do not have 24VAC outputs.
-For FT Combi boilers a 24VAC transformer will need to be installed and can be powered from the Main Power connections on the left side of the terminal strip.
-FT Heat Only DO NOT have 120VAC connections available, so a field supplied 24V transformer will need to be installed.

*Applies to most Nest versions.
Consult nest.com/support/thermostat for technical support.

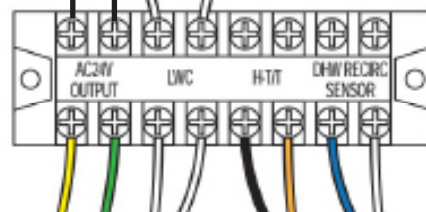
2. Nest thermostat require 24VAC for operation. For this reason an isolation relay must be used to close the T/T contacts on the FT Series boiler. (RIB relays like the one shown below can be used to isolate the boiler's T/T contacts.)



3. Relay connections will vary between manufacturers. Use the diagram to the right to properly connect to the normally open (N.O.) set of dry contacts.



FT terminal strip (Wall Hung Combi Only)



FT terminal strip (Floor Model Only)

