

314CS-S

BRASS W/O PLUG & CHAIN - CP

Project Name: _____

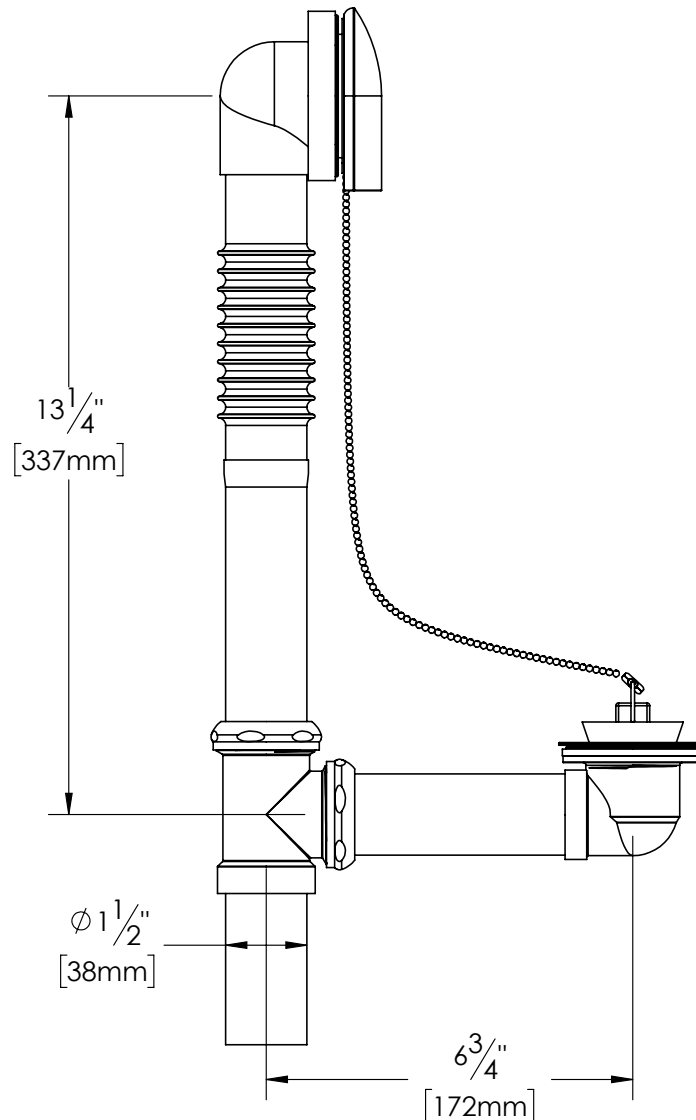
Project Number: _____

Fixture #

Description:

BRASS OFFSET STYLE WASTE & OVERFLOW WITH PLUG & CHAIN SHALL BE 1-1/2" 20 GAUGE, STD LENGTH WITH CP FINISH TRIM AND SlideOn™ FACE PLATE, SMALL (FINE THREAD) STRAINER, BRASS NUTS, COPPER CORRUGATED OVERFLOW TUBE, 3-1/2" TAILPIECE.

Certification



Oakville Stamping and Bending Ltd.

2200 Speers Road, Unit C. Oakville, ON. Canada. L6L 2X8.

T. 905.827.0320 or toll free 1.877.314.6040 F. 905.827.6375 or toll free 1.877.827.6040.

All rights reserved. OS&B™ reserves the right to change product specifications and material or discontinue models without notice.

www.osb.ca (Canada) www.osbplumbing.com (USA)