

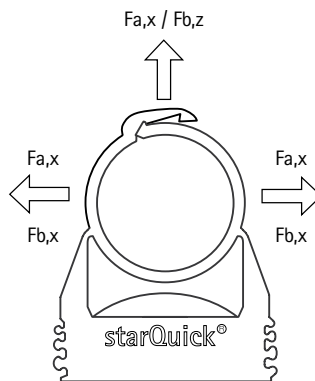
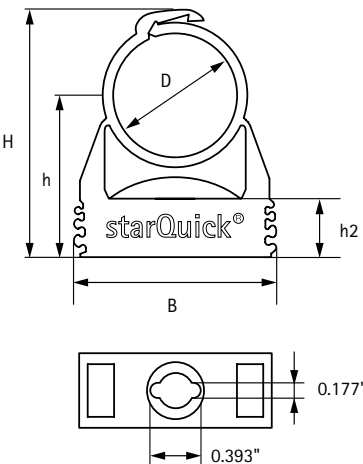
starQuick® Clamp



Product Specifications:

- For use with all pipe materials
- One-part clamp closes by applying pressure to the pipe
- For indoor and outdoor installations
- It is possible to tack several clamps to each other (up to 1-1/4" CP)
- Material: modified PA6 (polyamide), grey
- Resistant to UV, aging, oil and gasoline
- Corrosion-free, recyclable, halogen free
- Temperature resistance: -40° F to 190° F constant, 260° F peak (Note: temperature must be above 15° F during installation process)
- Plenum rated - tested to ASTM E-84
- Meet or exceeds the requirements for MFMA-4
- Meet or exceeds the requirements of Manufacturers Standardization Society MSS SP-58 and SP-69

| Item Number | Type | D / CTS (inches) | D / IPS (inches) | D (mm) | B (inches) | b (inches) | H (inches) | h (inches) | h2 (inches) | Fa,z (lbs) | Fb,z (lbs) | Items per pkg |
|-------------|--------|------------------|------------------|---------|------------|------------|------------|------------|-------------|------------|------------|---------------|
| 0854010 | SQ-10 | 1/4 | - | 10-12 | 1.1 | 0.67 | 1.3 | 0.91 | 0.413 | 38 | 112 | 100 |
| 0854012 | SQ-12 | 3/8 | 1/4 | 12-14 | 1.1 | 0.67 | 1.3 | 0.91 | 0.413 | 40 | 123 | 100 |
| 0854015 | SQ-15 | 1/2 | 3/8 | 14-16 | 1.1 | 0.67 | 1.4 | 0.94 | 0.413 | 45 | 134 | 100 |
| 0854018 | SQ-17 | 5/8 | - | 16-20 | 1.1 | 0.67 | 1.6 | 1.00 | 0.413 | 51 | 157 | 100 |
| 0854022 | SQ-20 | 3/4 | 1/2 | 20-23 | 1.1 | 0.67 | 1.7 | 1.10 | 0.413 | 60 | 179 | 50 |
| 0854028 | SQ-25 | - | 3/4 | 24-28 | 1.6 | 0.67 | 2.0 | 1.20 | 0.413 | 63 | 191 | 50 |
| 0854031 | SQ-28 | 1 | - | 28-32 | 1.6 | 0.67 | 2.1 | 1.30 | 0.413 | 67 | 202 | 50 |
| 0854035 | SQ-32 | 1-1/4 | 1 | 32-35 | 1.7 | 0.67 | 2.2 | 1.30 | 0.413 | 74 | 224 | 50 |
| 0854038 | SQ-36 | 1-3/8 | - | 35-40 | 1.9 | 0.67 | 2.6 | 1.60 | 0.472 | 83 | 247 | 25 |
| 0854042 | SQ-40 | 1-1/2 | 1-1/4 | 40-44 | 2.0 | 0.67 | 2.8 | 1.70 | 0.472 | 90 | 269 | 25 |
| 0854050 | SQ-47 | 1-3/4" | - | 44-50 | 2.2 | 0.67 | 3 | 1.80 | 0.472 | 96 | 292 | 25 |
| 0854054 | SQ-51 | 2 | 1-1/2 | 48-55 | 2.5 | 0.67 | 3.2 | 1.90 | 0.472 | 105 | 314 | 15 |
| 0854063 | SQ-59 | - | 2 | 59-65 | 2.9 | 0.78 | 3.7 | 2.20 | 0.472 | 112 | 337 | 15 |
| 08541075 | SQ-75 | - | 2-1/2 | 71-76 | 4.13 | 1.53 | 4.50 | 2.88 | 1.10 | 200 | - | 50 |
| 08541090 | SQ-90 | - | 3 | 88-93 | 4.50 | 1.53 | 5.25 | 3.25 | 1.25 | 200 | - | 40 |
| 08541110 | SQ-110 | - | 4 | 109-115 | 5.75 | 1.53 | 6.50 | 3.75 | 1.38 | 200 | - | 25 |



| | |
|--------------------------------------|------------|
| PRODUCT SUBMITTAL Date: _____ | |
| Job Name: _____ | |
| Part No. _____ | Qty: _____ |
| Architect / Owner: _____ | |
| Contractor: _____ | |
| Notes: _____ | |
| | |
| | |

THE INFORMATION CONTAINED IN THIS SUBMITTAL SHEET IS PROPRIETARY TO WALRAVEN, INC. AND IS SUBJECT TO CHANGE WITHOUT NOTICE. THIS INFORMATION MAY NOT BE REPRODUCED IN PART OR WHOLE WITHOUT WRITTEN AUTHORIZATION FROM WALRAVEN, INC.

