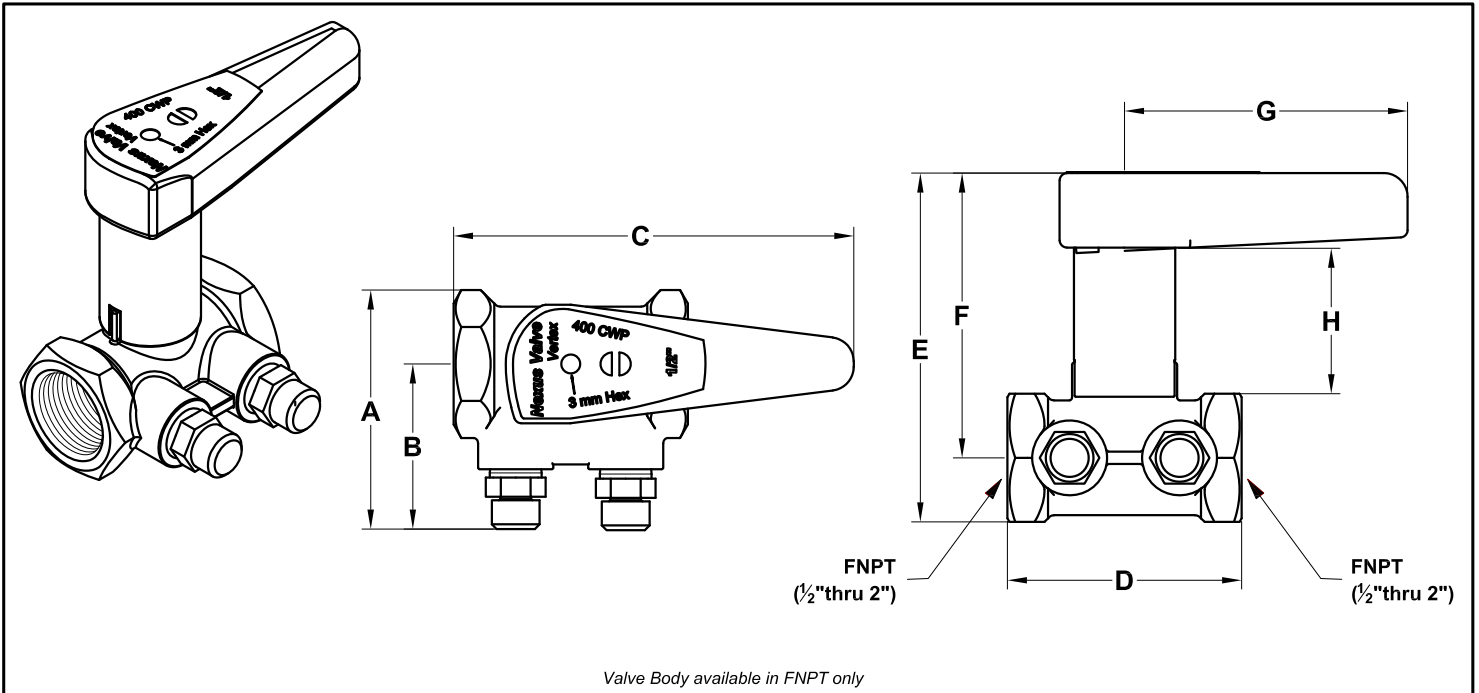




Vertex Model VTX

Calibrated Balancing Valve

Multi-turn, Variable Orifice Adjustment (1/2" thru 2")



Valve Body available in FNPT only

DIMENSIONS [inches]

SIZE [inches]	A	B	C	D	E	F	G	H	WT [lbs]
1/2	2.8	2.2	4.1	2.3	3.5	2.9	3.0	1.6	0.8
3/4	3.0	2.3	4.2	2.5	3.7	3.1	3.0	1.6	1.0
1	3.2	2.3	4.4	3.0	4.0	3.3	3.0	1.7	1.4
1 1/4	3.5	2.6	6.5	3.5	5.4	4.4	4.8	2.0	2.5
1 1/2	3.7	2.8	6.7	3.9	5.7	4.5	4.8	2.0	3.1
2	4.5	2.9	7.0	4.7	6.3	4.8	4.8	2.0	4.4

MATERIALS & DESIGN DATA

BODYDZR BRASS CW602N, MAX PRESSURE: 400 PSI (27.6 BAR) MAX TEMP: 248°F
BALL & NEEDLEDZR BRASS CW602N, CHROME PLATED
HANDLEGLASS FILLED POLYAMIDE
SEALING O-RINGEPDM
GASKETPTFE
TEST PORT SEALEPDM
PT Test PlugDZR BRASS

FLOW RATE RECOMMENDATION GUIDE

SIZE [inches]	Part #	IDEAL FLOW RANGES [gpm]	
		Min. (Setting 0)	Max. (Setting 9.9)
1/2	VTX-050T	0.05	3.50
3/4	VTX-075T	0.08	9.05
1	VTX-100T	0.24	14.53
1 1/4	VTX-125T	1.25	26.18
1 1/2	VTX-150T	1.80	44.94
2	VTX-200T	3.79	66.46

ACCESSORIES

Order Code	Part No.	Description
<input type="checkbox"/>	H HT. HANGING TAG with Model No., Location, Flow Rate (Maximum 7 Characters)
<input type="checkbox"/>	X PTE. PRES / TEMP TEST PLUG EXTENSION 1/16" O.A.L.

ORDER DATA

Sample Part #:

V T X - 0 5 0 T - 0 . 0 5 - X H

Model _____
 Size _____
 Connection Type _____
 Flow Rate _____
 Option Order Code(s) _____

PROJECT _____

CONTRACTOR _____

PO/JOB NO. _____

ENGINEER _____

REPRESENTATIVE _____

DATE _____