

TECHNICAL SPECIFICATIONS

CONNECTIONS



TOILET



SINK



SHOWER



BATHTUB

APPLICATION



RESIDENTIAL

Saniaccess[®] 3 Macerator

INSTALLATION BEHIND THE TOILET



Example of installation. Follow local plumbing codes for actual install.

INSTALLATION BEHIND THE WALL



Example of installation. Follow local plumbing codes for actual install.

The **Saniaccess3** is a **1/2 HP pump system** used to install a complete bathroom up to **15 feet below the sewer line, or even up to 150 feet away** from a soil stack. It incorporates a **macerating system** which can handle human waste and toilet paper in residential applications. The blade is made out of a hardened stainless steel material which **eliminates the need for any service or replacement**.

- Discharges the waste through a **3/4" or 1" rigid pipe**. A **non-return valve is included** on the discharge elbow assembly provided with the system. This elbow can be rotated 360 degrees depending on the discharge installation.
- Has been designed with a **1-1/2" vent connection** on the top of the lid. All plumbing codes require connection to a vent system. Please note that the vent system should be a two-way air vent as air needs to freely flow both ways. Note: The use of mechanical vents, air admittance valves or similar devices is not permitted.
- Must be connected to **Saniflo's 1.28 GPF / 4.8 LPF rear discharge toilet**. These toilets come in round and elongated (ADA compliant) models. More technical information on page 6.
- Will also discharge gray water from any **sink, bath/shower or urinal**. The wastewater will drain into the system via **two 2" inlets with built-in check valves** on either side of the housing. Note that when adding a bathtub/shower, the base should be raised up by a minimum of 6" off the floor.
- Designed with **two easy access service panels** located on top of the pump. On one side of the pump you can easily access the **electrical components and the level sensor**. The other side allows access to the macerating blade for **easy removal of foreign objects**.



PUMPING DISTANCE

15 Ft



150 Ft



Toilet Tank (Part N° 005)

Insulated 1.28 GPF / 4.8 LPF toilet tank equipped with all internal valves. For more information, please turn to page 6.

Round/Elongated Bowl (Part N° 083 or 087)

Rear discharge toilet with 16-3/4" seating height (Elongated bowl is ADA compliant). For more information, please turn to page 6.

Extension Pipe (Part N° 030)

18" long PVC pipe with internal gasket used to hide the pump behind the wall. For more information, please turn to page 51.

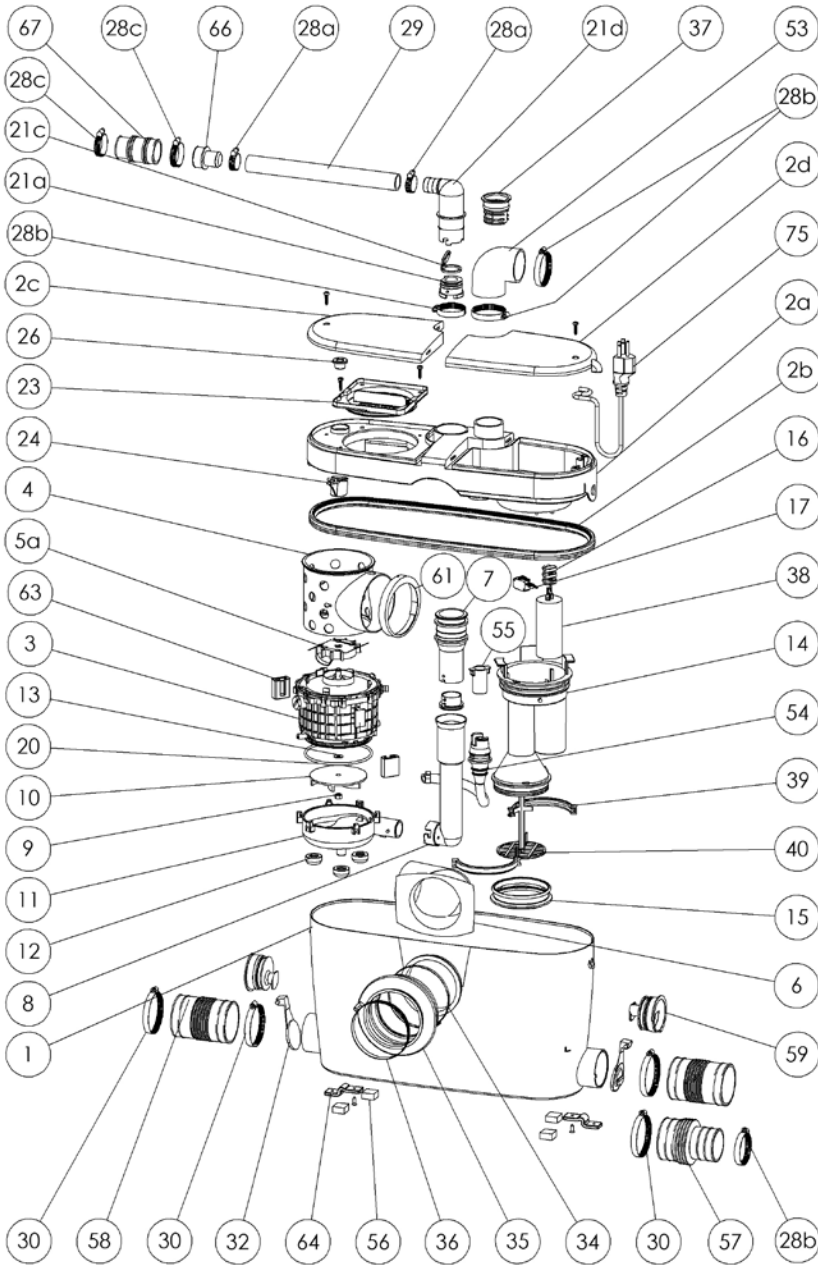
SaniAccess 3 (Part N° 082)

1/2 HP macerating pump for residential applications. Dual service access panels for possible maintenance and service.

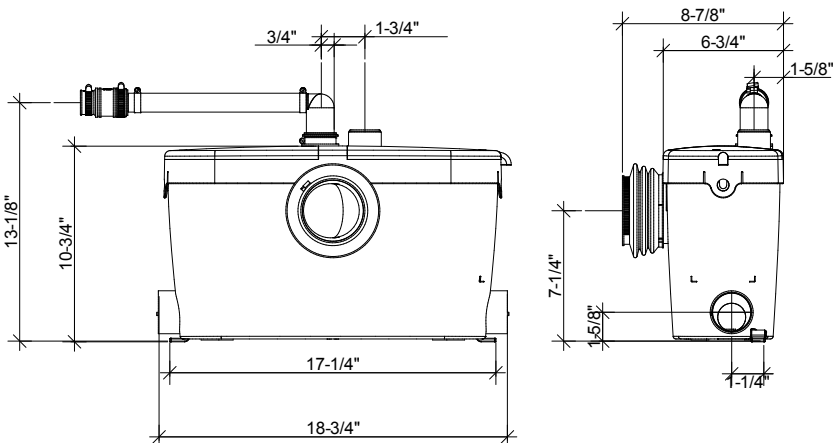


TECHNICAL SPECIFICATIONS

PLEASE CALL US TOLL-FREE AT
800-571-8191 (US) / 800-363-5874 (CDN)
 TO PURCHASE PARTS REFERENCED BELOW



DIMENSIONAL DRAWINGS



Choose any shower, bathtub or sink and enjoy your dream bathroom.

TECHNICAL SPECIFICATIONS

Pump type:

Macerator

Electrical:

120 V - 60 Hz / 4.5 Amps (Max)

Motor:

0.5 HP oil-filled thermally protected motor

Capacitor rating:

45 microfarad

Operating Temperature:

104°F (110°F Max.)

Power cord length:

51 inches

Noise level:

≤ 53 dBA (Lp) (measured at 3 ft.)

Discharge pipe diameter:

3/4" or 1"

Discharge rate at 15 ft:

17 GPM

Discharge rate at 3 ft:

27 GPM

Shut-off head:

30 ft.

Normal running time:

10-12s

Capacity:

3.1 gallons / 11.7 liters

Inlets:

2" (sides), 1-1/2" vent (top)

Method of activation:

Membrane/microswitch

Shower/bathtub base height:

6" min

Weight:

18 lbs / 8.2 kg.

Certifying agencies:

CSA (IPC, NSPC), IAPMO (UPC)

Recommended accessories:

Descaler

Connections:

Rear outlet toilet, sink, shower/bathtub

