

SSCEP SERIES-304 STAINLESS STEEL COLD EXPANSION PEX (CEP) FITTINGS

Stainless steel cold expansion PEX fittings are resistant to chemicals in corrosive and aggressive water conditions. 304SS is not susceptible to dezincification, unlike brass. SSCEP fittings are designed for use in ASTM F1960 PEX cold and hot water distribution systems using SDR9 PEX tubing. A large internal diameter provides maximum flow through the fitting. There is an integral raise or stop tab on the fittings to ensure proper installation of the tubing. The expansion connection method provides a positive and leak free seal.



SPECIFICATIONS:

- For use with ASTM F2769 (PE-RT) or SDR9 pipe
- For use with ASTM F876 or F3253 PEX pipe
- Cold expansion PEX end conforms to ASTM F1960
- ASTM F1960 CEP fittings have larger inside diameter than ASTM F2159 poly cold expansion type PEX fittings and ASTM F1807 metal cold expansion type PEX fittings, providing maximum water flow
- Cold expansion connection method provides a positive and leak free seal
- Threads conform to ASME B1.20.1
- Working Pressure Rating: 100 PSI
- Temperature Range: Up to 180 °F (82 °C)
- Made of 304 Stainless Steel
- Historically compatible only with PEX-A PEX pipe. Some manufacturer's are stating their PEX-B PEX pipe is compatible with cold expansion fittings. It is the sole responsibility of the installer to confirm the piping is suitable for CEP applications.

CERTIFICATION:

- cUPC Standard ASTM F1960 & CSA B137.5
- NSF/ANSI Standard 61 & 372 Certified (Stainless steel alloys do not contain any lead, 0.00% Pb)

MATERIAL LIST	
Name	Percent of Composition
304 Stainless Steel	
Iron (Fe)	64.0-72.0
Carbon (C)	0.08 max
Silicon (Si)	1.00 max
Manganese (Mn)	2.00 max
Phosphorus (P)	0.05 max
Sulfur (S)	0.04 max
Chromium (Cr)	18.0-20.0
Nickel (Ni)	8.0-11.0



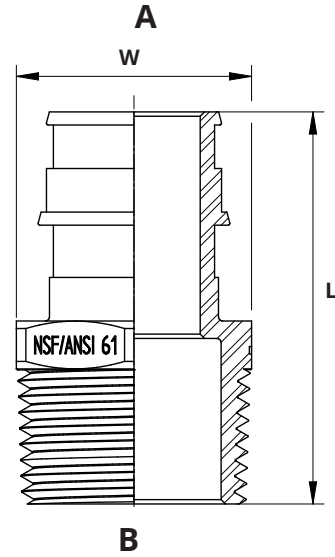
25 Whaley Avenue, PO Box 310, Milverton, ON CANADA N0K 1M0
Tel: 800-561-3164

boshart.com ♦ blog.boshart.com

STAINLESS STEEL COLD EXPANSION PEX FITTINGS

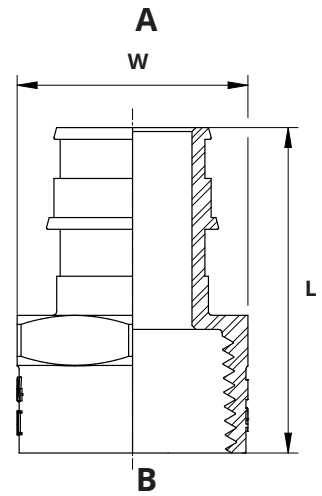
Adapter - Cold Expansion PEX x MPT

Part No.	Nominal Pipe Size		L		W	
	A (CE PEX)	B (MPT)	in	mm	in	mm
SSCEP-MA05	1/2"	1/2"	1.524	38.70	0.874	22.20
SSCEP-MA0507	1/2"	3/4"	1.535	39.00	1.063	27.00
SSCEP-MA07	3/4"	3/4"	1.772	45.00	1.063	27.00
SSCEP-MA0705	3/4"	1/2"	1.760	44.70	0.874	22.20
SSCEP-MA0710	3/4"	1"	1.969	50.00	1.335	33.90
SSCEP-MA10	1"	1"	2.205	56.00	1.339	34.00
SSCEP-MA1007	1"	3/4"	1.988	50.50	1.063	27.00



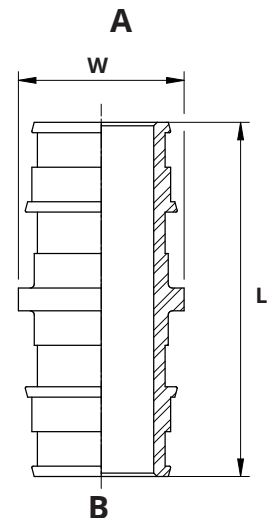
Adapter - Cold Expansion PEX x FPT

Part No.	Nominal Pipe Size		L		W	
	A (CE PEX)	B (FPT)	in	mm	in	mm
SSCEP-FA05	1/2"	1/2"	1.350	34.30	0.984	25.00
SSCEP-FA0507	1/2"	3/4"	1.402	35.60	1.161	29.50
SSCEP-FA07	3/4"	3/4"	1.638	41.60	1.161	29.50
SSCEP-FA0705	3/4"	1/2"	1.587	40.30	0.984	25.00
SSCEP-FA0710	3/4"	1"	1.764	44.80	1.476	37.50
SSCEP-FA10	1"	1"	2.000	50.80	1.476	37.50



Coupling - Cold Expansion PEX

Part No.	Nominal Pipe Size		L		W	
	A	B	in	mm	in	mm
SSCEP-C05	1/2"	1/2"	1.547	39.30	0.689	17.50
SSCEP-C07	3/4"	3/4"	2.02	51.30	0.945	24.00
SSCEP-C0705	3/4"	1/2"	1.783	45.30	0.945	24.00
SSCEP-C10	1"	1"	2.492	63.30	1.181	30.00
SSCEP-C1007	1"	3/4"	2.256	57.30	1.181	30.00



BOSHART
INDUSTRIES

25 Whaley Avenue, PO Box 310, Milverton, ON CANADA N0K 1M0
Tel: 800-561-3164

boshart.com ♦ blog.boshart.com

© 2020 Boshart Industries Inc. All Rights Reserved.

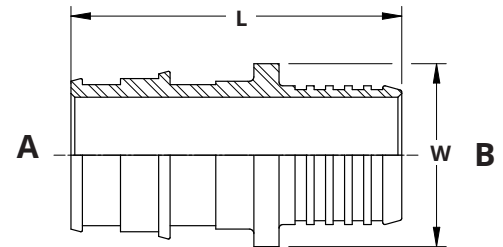
STAINLESS STEEL COLD EXPANSION PEX FITTINGS


Transition Coupling - Cold Expansion PEX x PB

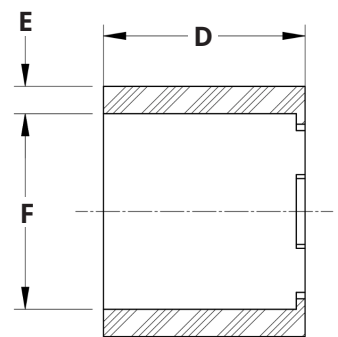
Transitions from polybutylene (PB) pipe PB2110 to cold expansion PEX. Kit includes one coupling, one cold expansion collar, and one copper ring. The copper ring goes to the PB end and the expansion collar goes to the CEP end.



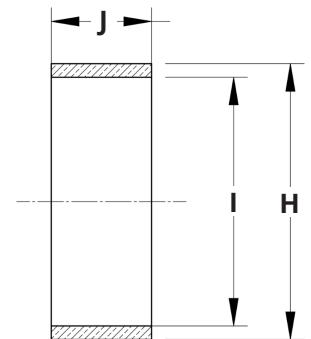
Part No.	Nominal Pipe Size		L		W	
	A (CE PEX)	B (PB)	in	mm	in	mm
SSCEP-PBCK05	1/2"	1/2"	1.472	37.40	0.689	17.50
SSCEP-PBCK07	3/4"	3/4"	1.709	43.40	0.945	24.00
SSCEP-PBCK10	1"	1"	2.126	54.00	1.181	30.00



Part	Description	D		E		F	
		in	mm	in	mm	in	mm
 CEP Collar*	1/2" CEP Collar	0.63	16.00	0.12	3.12	0.63	16.08
	3/4" CEP Collar	0.87	22.00	0.12	3.12	0.88	22.40
	1" CEP Collar	1.10	28.00	0.14	3.63	1.13	28.80



Part	Description	H		I***		J	
		in	mm	in	mm	in	mm
 Ring for PB end**	1/2" Crimp PB Ring	0.75	19.05	0.65	16.56	0.36	9.20
	3/4" Crimp PB Ring	1.00	25.40	0.90	22.91	0.36	9.20
	1" Crimp PB Ring	1.25	31.75	1.15	29.26	0.36	9.20



*Dimensional tolerances as per ASTM F1960

**Dimensional tolerances as per ASTM F1380

***Inner diameter (I) is a calculated dimension and is a reference only.

BOSHART
INDUSTRIES

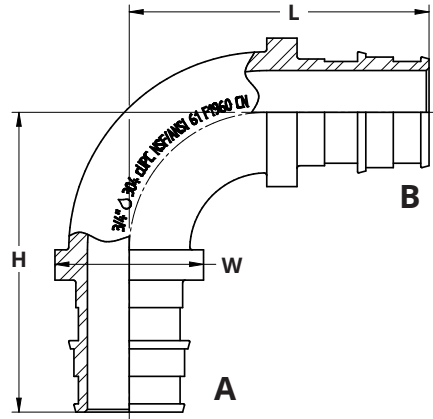
25 Whaley Avenue, PO Box 310, Milverton, ON CANADA N0K 1M0
Tel: 800-561-3164

boshart.com ♦ blog.boshart.com

© 2020 Boshart Industries Inc. All Rights Reserved.

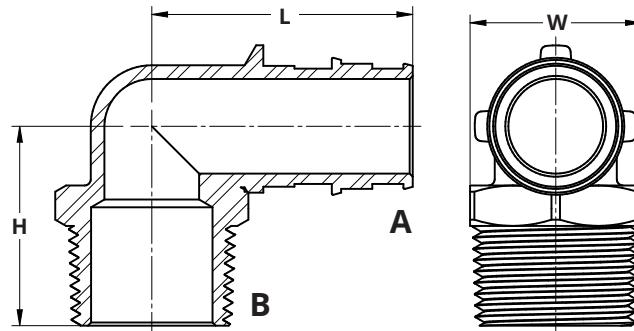
STAINLESS STEEL COLD EXPANSION PEX FITTINGS

90° Elbow - Cold Expansion PEX



Part No.	Nominal Pipe Size		H		L		W	
	A	B	in	mm	in	mm	in	mm
SSCEP-E05	1/2"	1/2"	1.693	43.00	1.693	43.00	0.768	19.50
SSCEP-E07	3/4"	3/4"	2.146	54.50	2.146	54.50	1.063	27.00
SSCEP-E0705	3/4"	1/2"	1.949	49.50	1.634	41.50	1.063	27.00
SSCEP-E10	1"	1"	2.520	64.00	2.520	64.00	1.260	32.00

90° Elbow - Cold Expansion PEX x MPT



Part No.	Nominal Pipe Size		L		H		W	
	A (CE PEX)	B (MPT)	in	mm	in	mm	in	mm
SSCEP-ME05	1/2"	1/2"	1.256	31.90	1.220	31.00	0.866	22.00
SSCEP-ME07	3/4"	3/4"	1.650	41.90	1.260	32.00	1.083	27.50

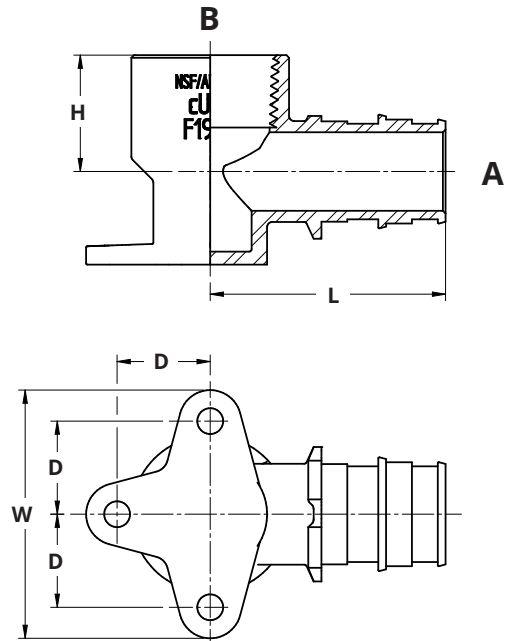


25 Whaley Avenue, PO Box 310, Milverton, ON CANADA N0K 1M0
Tel: 800-561-3164

boshart.com ♦ blog.boshart.com

STAINLESS STEEL COLD EXPANSION PEX FITTINGS

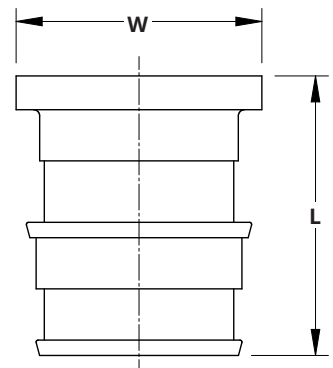
Dropear 90° Elbow - Cold Expansion PEX x FPT



Part No.	Nominal Pipe Size		L		H		W		D	
	A (CE PEX)	B (FPT)	in	mm	in	mm	in	mm	in	mm
SSCEP-DE05	1/2"	1/2"	1.398	35.50	0.709	18.00	1.890	48.00	0.709	18.00
SSCEP-DE07	3/4"	3/4"	1.791	45.50	0.886	22.50	1.890	48.00	0.709	18.00
SSCEP-DE0705	3/4"	1/2"	1.693	43.00	0.886	22.50	1.890	48.00	0.709	18.00

Plug - Cold Expansion PEX

Part No.	Nominal Pipe Size	L		W	
		in	mm	in	mm
SSCEP-P05	1/2"	0.839	21.30	0.689	17.50
SSCEP-P07	3/4"	1.075	27.30	0.945	24.00
SSCEP-P10	1"	1.311	33.30	1.181	30.00



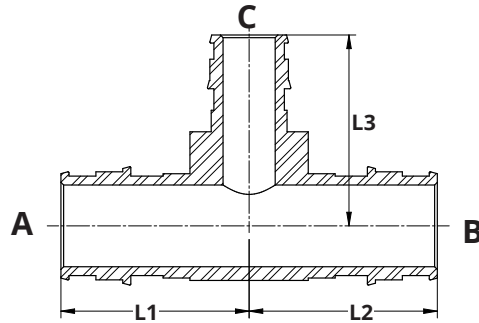
BOSHART
INDUSTRIES

25 Whaley Avenue, PO Box 310, Milverton, ON CANADA N0K 1M0
Tel: 800-561-3164

boshart.com ♦ blog.boshart.com

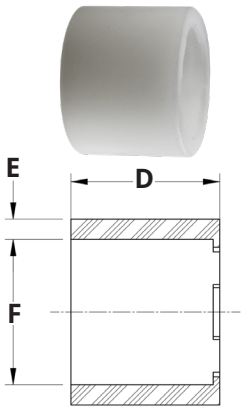
STAINLESS STEEL COLD EXPANSION PEX FITTINGS

Tee -Cold Expansion PEX



Part No.	Nominal Pipe Size			L1		L2		L3	
	A	B	C	in	mm	in	mm	in	mm
SSCEP-T05	1/2"	1/2"	1/2"	1.142	29.00	1.142	29.00	1.240	31.50
SSCEP-T050503	1/2"	1/2"	3/8"	1.102	28.00	1.102	28.00	1.122	28.50
SSCEP-T07	3/4"	3/4"	3/4"	1.516	38.50	1.516	38.50	1.634	41.50
SSCEP-T070505	3/4"	1/2"	1/2"	1.378	35.00	1.142	29.00	1.398	35.50
SSCEP-T070507	3/4"	1/2"	3/4"	1.516	38.50	1.280	32.50	1.634	41.50
SSCEP-T070703	3/4"	3/4"	3/8"	1.339	34.00	1.339	34.00	1.280	32.50
SSCEP-T070705	3/4"	3/4"	1/2"	1.378	35.00	1.378	35.00	1.398	35.50
SSCEP-T070710	3/4"	3/4"	1"	1.654	42.00	1.654	42.00	1.870	47.50
SSCEP-T10	1"	1"	1"	1.890	48.00	1.890	48.00	2.043	51.90
SSCEP-T100507	1"	1/2"	3/4"	1.772	45.00	1.299	33.00	1.807	45.90
SSCEP-T100510	1"	1/2"	1"	1.909	48.50	1.437	36.50	2.043	51.90
SSCEP-T100705	1"	3/4"	1/2"	1.614	41.00	1.378	35.00	1.571	39.90
SSCEP-T100707	1"	3/4"	3/4"	1.772	45.00	1.535	39.00	1.807	45.90
SSCEP-T100710	1"	3/4"	1"	1.890	48.00	1.654	42.00	2.043	51.90
SSCEP-T101005	1"	1"	1/2"	1.614	41.00	1.614	41.00	1.571	39.90
SSCEP-T101007	1"	1"	3/4"	1.772	45.00	1.772	45.00	1.807	45.90

Expansion Collar for Use with CE PEX Fittings



Part No.	Description	D		E		F	
		in	mm	in	mm	in	mm
720CEP-EC05*	1/2" CEP Collar	0.63	16.00	0.12	3.12	0.63	16.08
720CEP-EC07*	3/4" CEP Collar	0.87	22.00	0.12	3.12	0.88	22.40
720CEP-EC10*	1" CEP Collar	1.10	28.00	0.14	3.63	1.13	28.80

*Dimensional tolerances as per ASTM F1960

For more information on installation, adjustment, repair & operation, visit Boshart Knowledge Base at

SUPPORT.BOSHART.COM



BOSHART

INDUSTRIES

25 Whaley Avenue, PO Box 310, Milverton, ON CANADA N0K 1M0
Tel: 800-561-3164

boshart.com ♦ blog.boshart.com